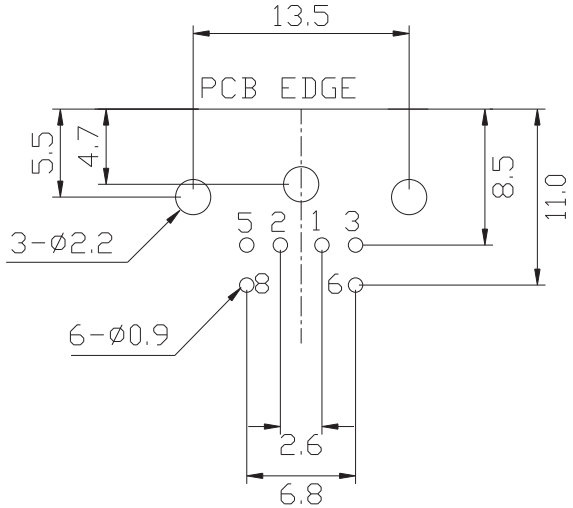
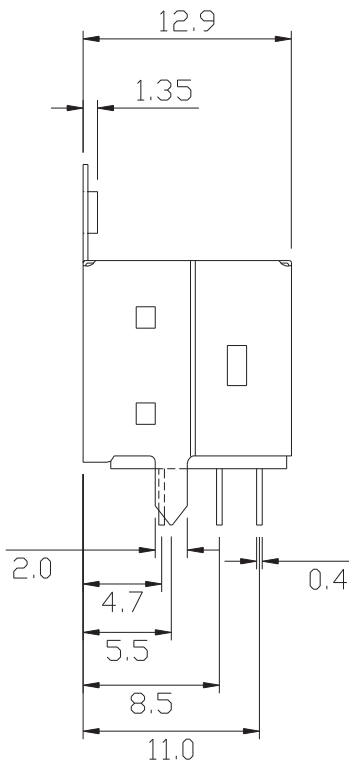
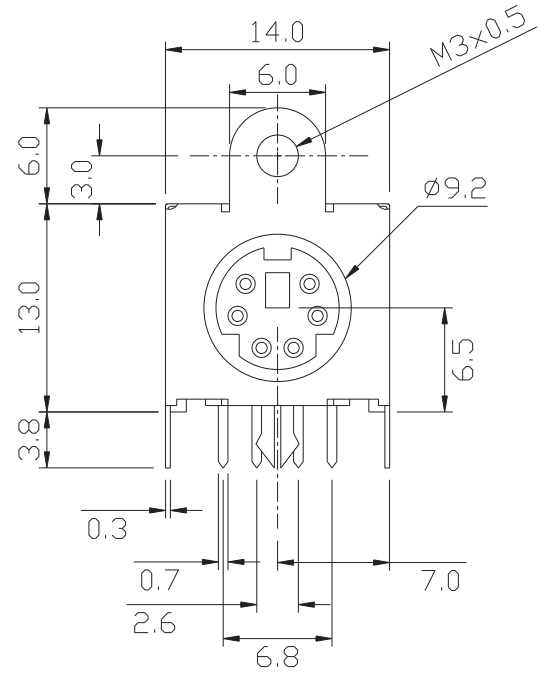
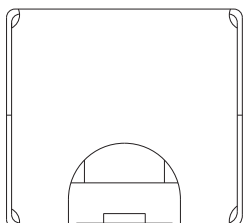
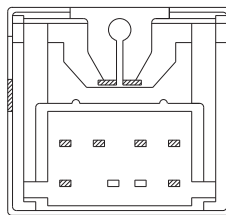
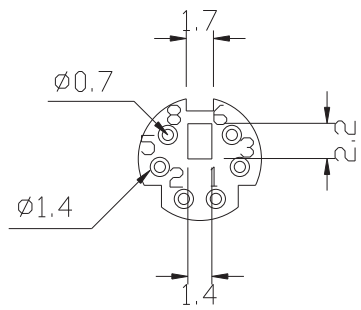


ORDER INFORMATION:


MD2 - $\frac{5}{a}$ $\frac{06S}{b}$ - $\frac{BP}{c}$ - $\frac{D}{d e}$

- a. Shell option:
5:FULLY SHIELDED WITH STRAIGHT TABS
- b. Position:
06
- c. Color selection:
B:Black
- d. Insulator material:
P:PBT
- e. Pack selection:
D:Disk Pack



PCB LAYOUT (BOTTOM VIEW)

NO.	NAME	MATERIAL	FINISH	Q'TY	REMARK
1	HOUSING	PBT G.F.	BLACK	1	
2	CONTACT	PHOS. BRONZE T:0.2	GOLD-TIN PLATED	6	Gold:1~3u"; Ni:40~60u"; TIN:120u" (100% pure Tin of lead free plating)
3	SHIELD	BRASS T:0.3	TIN PLATED	1	TIN:120~200u"
4	BOTTOM COVER	PBT G.F.	BLACK	1	

GENERAL TOLERANCE ± 0.30	DATE	H. D. LI	PART NO MD2-506S-BP-D
	DESIGN	H. D. LI	
	CHECKED	Y. M. LU	TITLE MINI DIN JACK 6P RIGHT ANGLE FULLY SHIELDED WITH LOCK TYPE
UNIT :mm	APPROVED	J. F. KANG	 宏揚精密有限公司 HOJAR PRECISION CO., LTD.