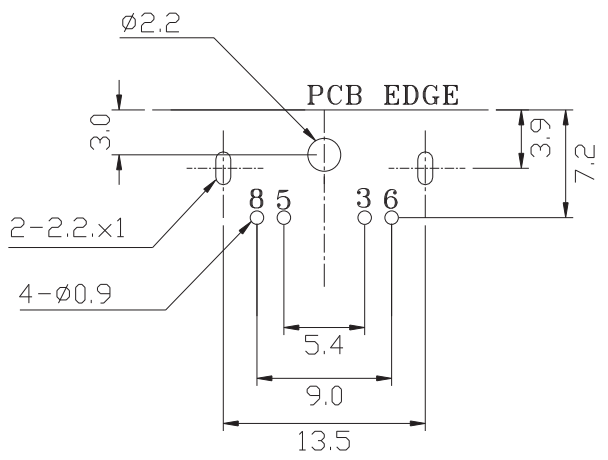
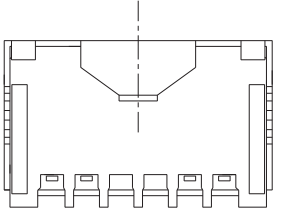
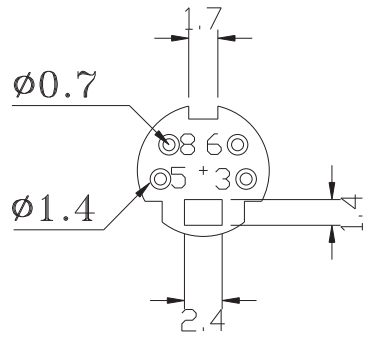


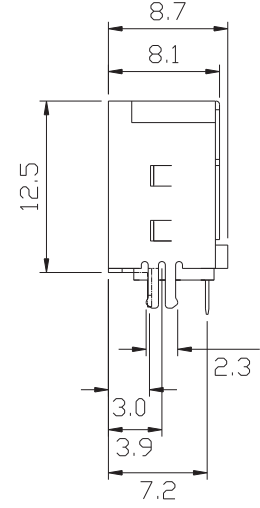
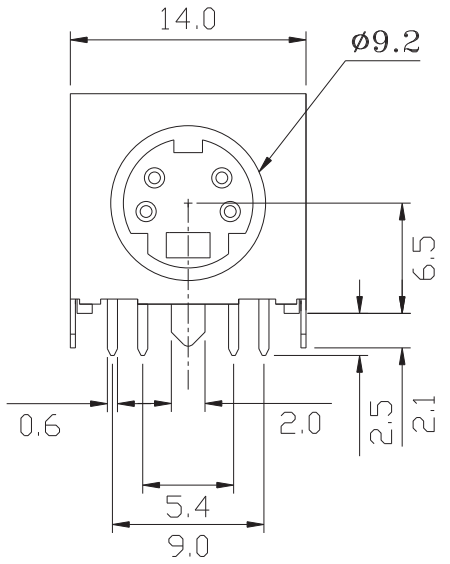
ORDER INFORMATION:

MD2 - $\frac{5}{a}$ $\frac{04}{b}$ - $\frac{A0}{c}$ - $\frac{BN}{d}$ - $\frac{D}{f}$


- a. Shell option:
5:FULLY SHIELDED WITH STRAIGHT TABS
- b. Position:
4
- c. Post selection:
0:without post
- d. Color selection:
B:Black
- e. Insulator material:
N:NYLON 9T
- f. Pack selection:
D:Disk Pack



PCB LAYOUT (BOTTOM VIEW)



NO.	NAME	MATERIAL	FINISH	Q'TY
1	HOUSING	NYLON PA9T G.F.	BLACK	1
2	CONTACT	PHOS. BRONZE T:0.2	Gold:1~3u"; NI:40~60u"; TIN:120u" (100% pure Tin of lead free plating)	4
3	SHIELD	BRASS T:0.3	TIN PLATED	1

GENERAL TOLERANCE ± 0.30	DATE H. D. LI	PART NO MD2-504-A0-BN-D
	DESIGN H. D. LI	
	CHECKED Y. M. LU	
UNIT :mm	APPROVED J. F. KANG	 宏揚精密有限公司 HOJAR PRECISION CO., LTD.