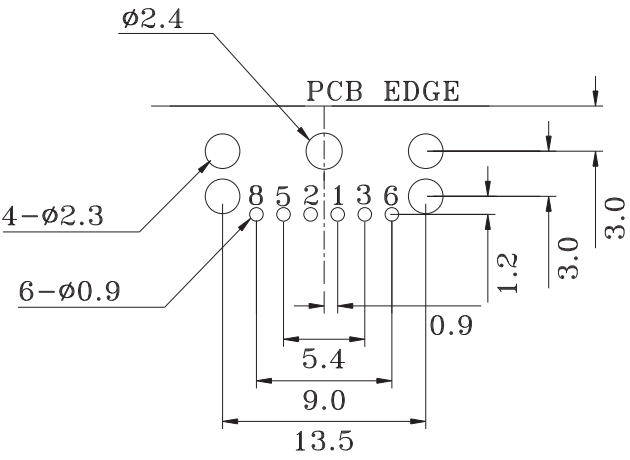
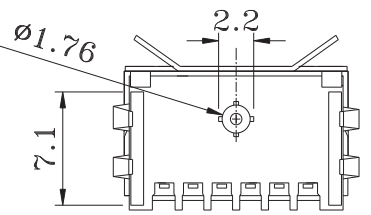
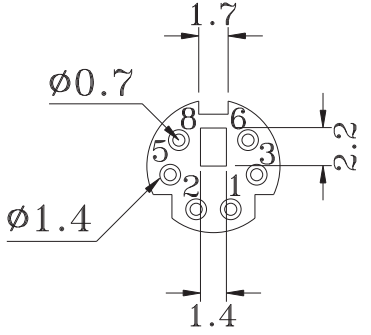


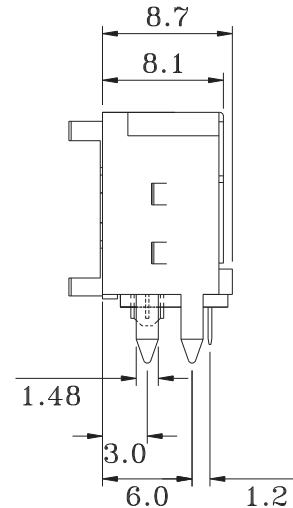
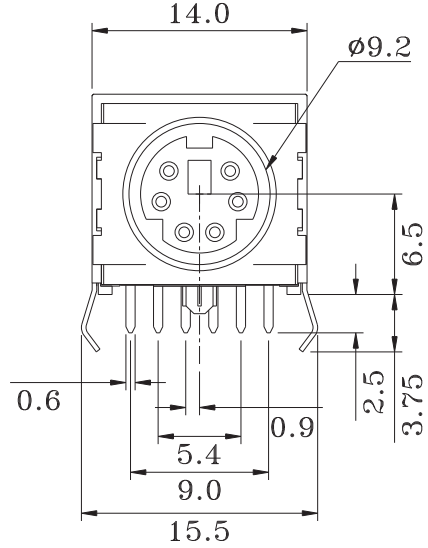
# ORDER INFORMATION:

MD2 -  $\frac{5}{a}$   $\frac{06}{b}$  -BS  $\frac{1}{c}$  -  $\frac{B}{d}$   $\frac{N}{e}$  -  $\frac{D}{f}$


- a. Shell option:  
5:FULLY SHIELDED WITH STRAIGHT TABS
- b. Position:  
6
- c. Post selection:  
1:with post
- d. Color selection:  
B:Black
- e. Insulator material:  
N:NYLON 9T
- f. Pack selection:  
D:Disk Pack



PCB LAYOUT (BOTTOM VIEW)



NO.	NAME	MATERIAL	FINISH	Q'TY
1	HOUSING	NYLON PA9T G.F.	BLACK	1
2	CONTACT	PHOS. BRONZE T:0.2	Gold:1~3u"; NI:40~60u"; TIN:120u" (100% pure Tin of lead free plating)	6
3	SHIELD	BRASS T:0.3	TIN PLATED ; TIN:120~200u"	1
4	SPRING SHIELD	STAINLESS T:0.15		1

GENERAL TOLERANCE  ± 0.30	DATE	H. D. LI	PART NO <b>MD2-506-BS1-BN-D</b>
	DESIGN	H. D. LI	
	CHECKED	Y. M. LU	 宏揚精密有限公司 HOJAR PRECISION CO., LTD.
	APPROVED	J. F. KANG	
UNIT :mm			