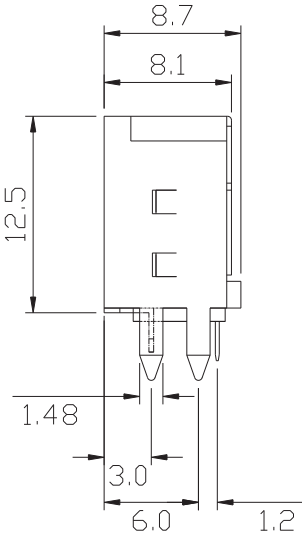
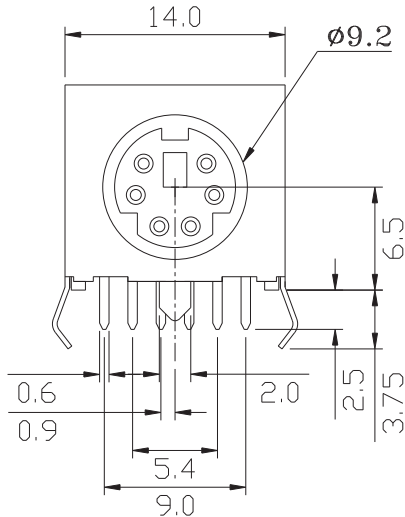
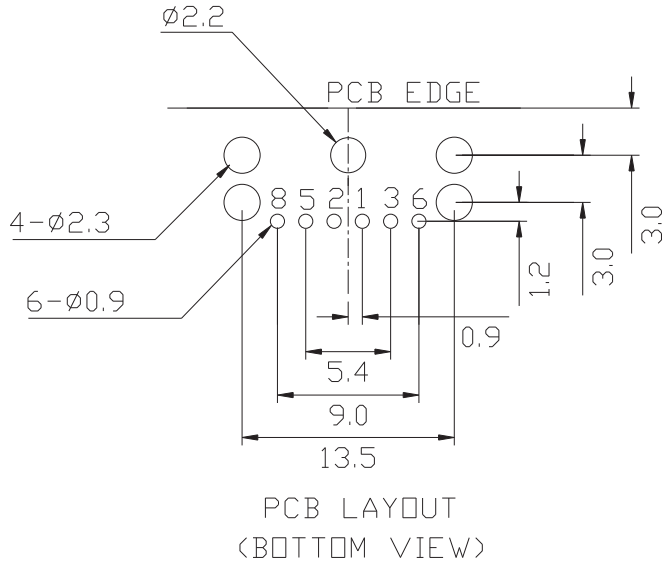
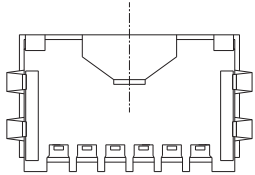
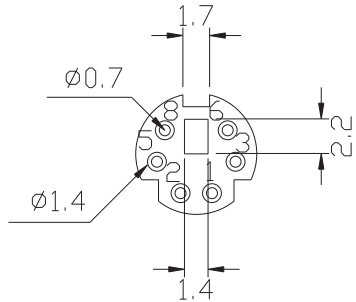


ORDER INFORMATION:

DHMINID066 - $\frac{06}{a}$ I - $\frac{B}{b}$ $\frac{N}{c}$ - $\frac{D}{d}$

- a. Pin number:
06
- b. color:
B:Black
- c. Plastic material:
N:NYLON 9T
- d. Pack:
D: Disk Pack



NO.	NAME	MATERIAL	FINISH	Q'TY
1	HOUSING	NYLON PA9T G.F.	BLACK	1
2	CONTACT	PHOS. BRONZE T:0.2	Gold:1~3u"; NI:40~60u"; TIN:120u" (100% pure Tin of lead free plating)	6
3	SHIELD	BRASS T:0.3	TIN PLATED ; TIN:120~200u"	1

GENAL TOLERANCE ± ± 0.30 ±	DATE H. D. LI	PART NO DHMINID066-06I-BN-D
	DESIGN H. D. LI	
	CHECKED Y. M. LU	
	APPROVED J. F. KANG	
UNIT :mm		宏揚精密有限公司 HOJAR PRECISION CO., LTD.