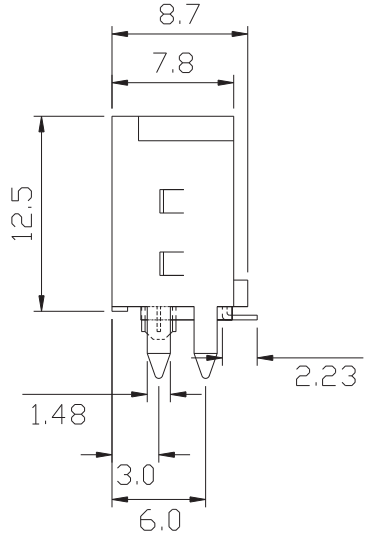
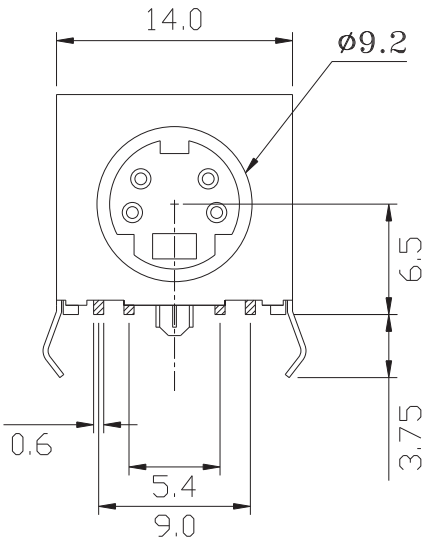
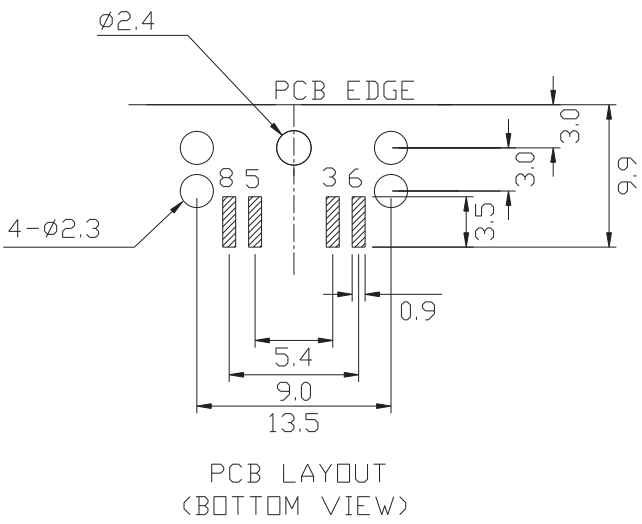
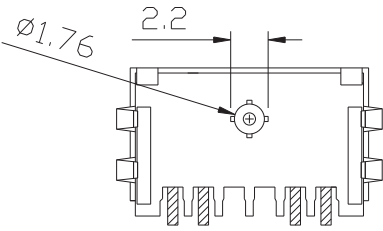
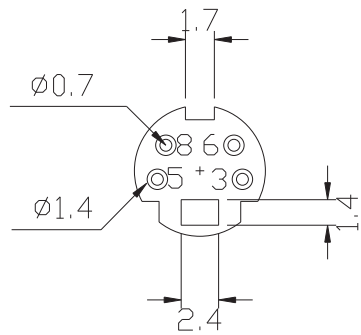


ORDER INFORMATION:

SM D2 - $\frac{5}{a}$ $\frac{04}{b}$ - $\frac{B1}{c}$ - $\frac{BN}{d}$ - $\frac{D}{e}$ - $\frac{D}{f}$

- a. Shell option:
5:FULLY SHIELDED WITH STRAIGHT TABS
- b. Position:
4
- c. Post selection:
1:with post
- d. Color selection:
B:Black
- e. Insulator material:
N:NYLON 9T
- f. Pack selection:
D:Disk Pack



NO.	NAME	MATERIAL	FINISH	Q'TY
1	HOUSING	NYLON PA9T G.F.	BLACK	1
2	CONTACT	PHOS. BRONZE T:0.2	Gold:1~3u"; NI:40~60u"; TIN:120u" (100% pure Tin of lead free plating)	4
3	SHIELD	BRASS T:0.3	TIN PLATED ; TIN:120~200u"	1

GENERAL TOLERANCE ± 0.30	DATE H. D. LI	PART NO SMD2-504-B1-BN-D
	DESIGN H. D. LI	TITLE MINI DIN JACK 4P SHORT BODY FLAT SMT TYPE
	CHECKED Y. M. LU	
	APPROVED J. F. KANG	
UNIT :mm		宏揚精密有限公司 HOJAR PRECISION CO., LTD.