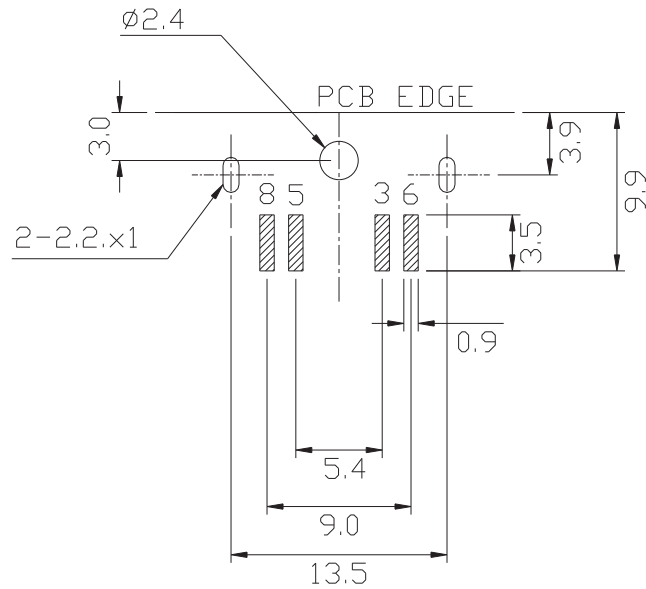
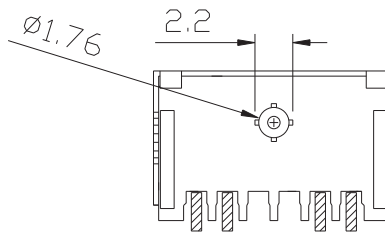
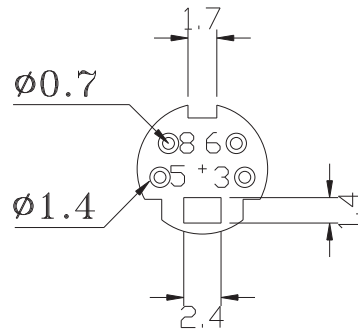


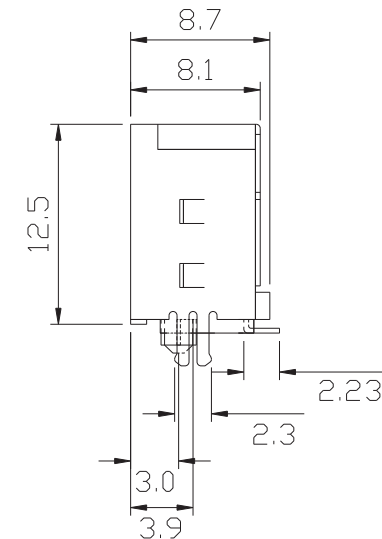
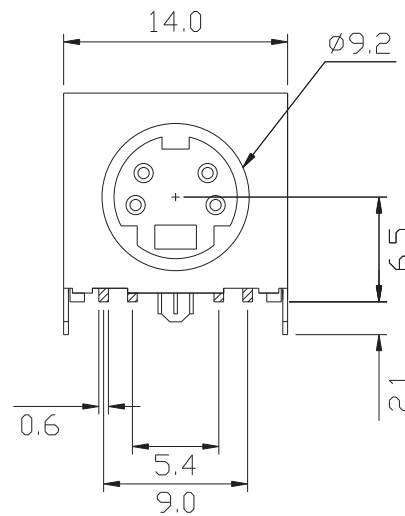
# ORDER INFORMATION:

SHMINID066 - 04 -  $\frac{B}{a} \frac{N}{b} \frac{D}{c} - \frac{D}{d}$


- a. Position: 4
- b. Color selection: B:Black
- c. Insulator material: N:NYLON 9T
- d. Pack selection: D:Disk Pack



PCB LAYOUT  
(BOTTOM VIEW)



NO.	NAME	MATERIAL	FINISH	Q'TY
1	HOUSING	NYLON PA9T G.F.	BLACK	1
2	CONTACT	PHOS. BRONZE T:0.2	Gold:1~3u"; NI:40~60u"; TIN:120u" (100% pure Tin of lead free plating)	4
3	SHIELD	BRASS T:0.3	TIN PLATED TIN:120~200u"	1

GENERAL TOLERANCE ± 0.30	DATE H. D. LI	PART NO <b>SHMINID066-04-BN-D</b>
	DESIGN H. D. LI	TITLE MINI DIN JACK 4P SHORT BODY SMT TYPE
	CHECKED Y. M. LU	
	APPROVED J. F. KANG	
UNIT :mm		 宏揚精密有限公司 HOJAR PRECISION CO., LTD.