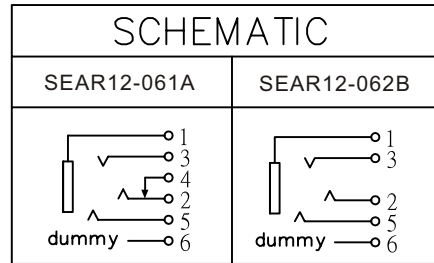
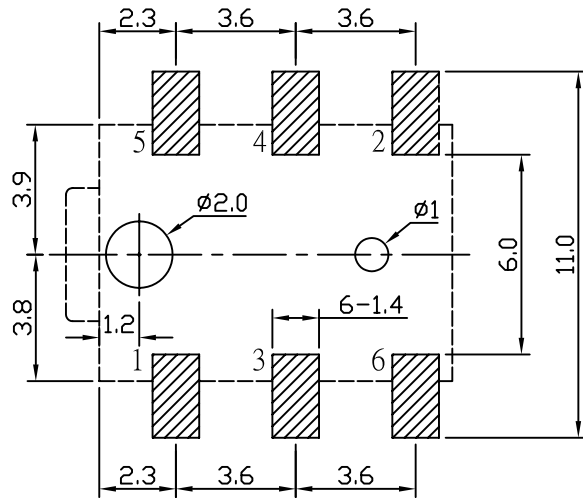


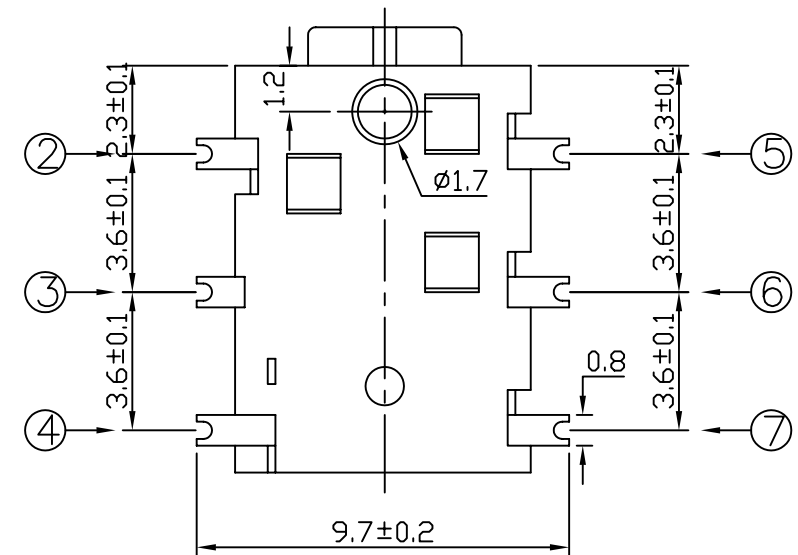
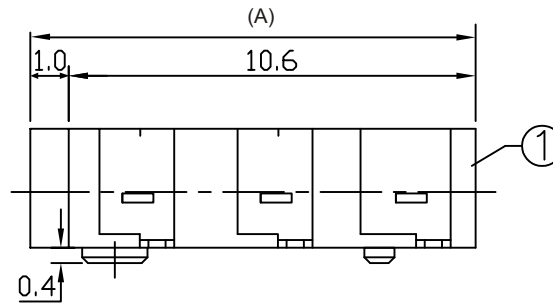
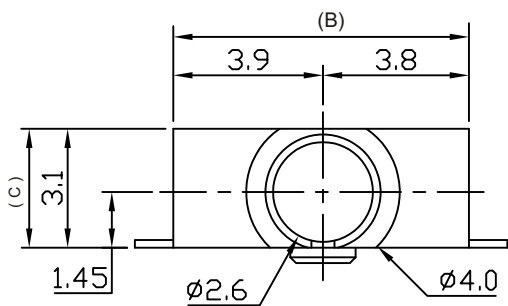
# ORDER INFORMATION:

SEAR12 - 061X - X - A/B/C - X  
 $\frac{a}{b} \frac{c}{d}$

- a. SCHEMATIC:  
A~B
- b. Post selection:  
1: with post
- c. Length/Width/Height:  
A/B/C (A=11.6,B=7.7,C=3.1) (standard)
- d. Pack selection:  
R:Reel Pack



T:1.6 Dimensions of PC board holes  
 Tolerance :  $\pm 0.1$ (Printed-top view)



|     |              |     |                 |                 |
|-----|--------------|-----|-----------------|-----------------|
| 7   | FLAT SUPPORT | 1   | PHOSPHOR BRONZE | MB:Cu Au PLATED |
| 6   | CONTACT FOOT | 1   | Be-Cu           | MB:Cu Au PLATED |
| 5   | CONTACT FOOT | 1   | Be-Cu           | MB:Cu Au PLATED |
| 4   | SPRING PIECE | 1   | Be-Cu           | MB:Cu Au PLATED |
| 3   | CURVE PIECE  | 1   | PHOSPHOR BRONZE | MB:Cu Au PLATED |
| 2   | CONTACT FOOT | 1   | Be-Cu           | MB:Cu Au PLATED |
| 1   | HOUSING      | 1   | PA9T            |                 |
| LTR | PART NAME    | QTY | MATERIAL        | REMARK          |

|                              |                        |                                       |
|------------------------------|------------------------|---------------------------------------|
| GENAL TOLERANCE<br>$\pm 0.2$ | DRAW<br>M. C. WANG     | PART NO<br>SEAR12-061X-X-A/B/C-X      |
|                              | DESIGN<br>H. D. LI     | TITLE<br>2.5MM MINIATURE JACK (SMT)   |
|                              | CHECKED<br>Y. M. LU    |                                       |
|                              | APPROVED<br>J. F. KANG |                                       |
| UNIT :mm                     |                        | 宏揚精密有限公司<br>HOJAR PRECISION CO., LTD. |