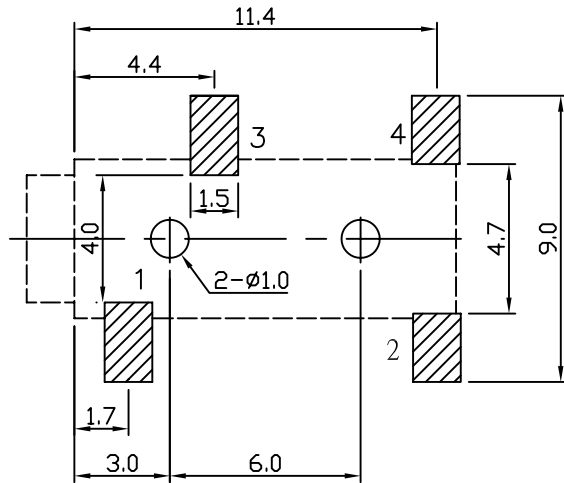


ORDER INFORMATION:

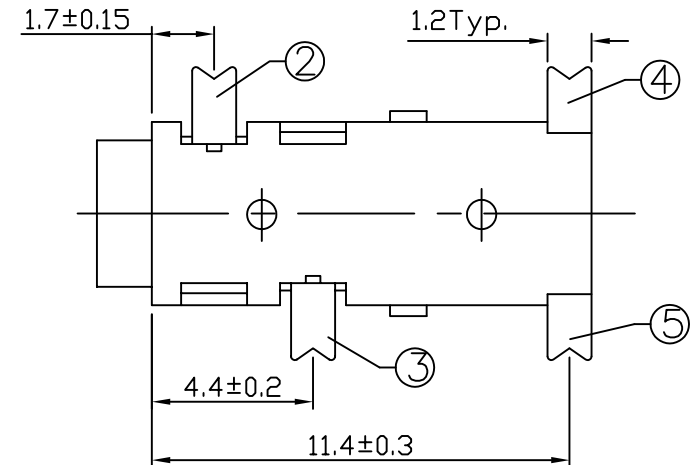
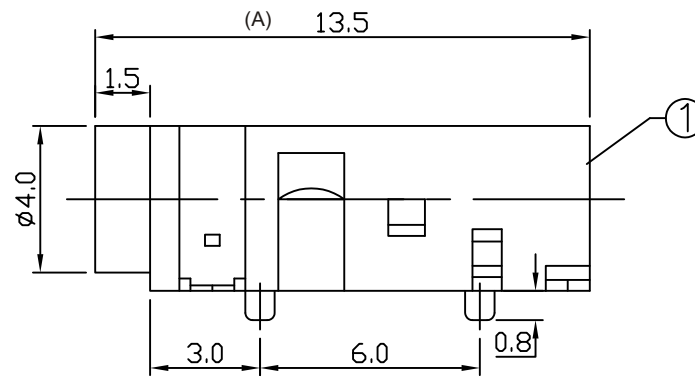
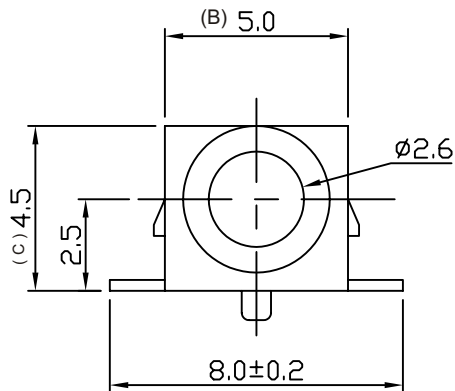
SEAR12 - 042 $\frac{X}{a}$ - $\frac{X}{b}$ - $\frac{A/B/C}{c}$ - $\frac{X}{d}$

- a. SCHEMATIC:
A~D
- b. Post selection:
1: with post
- c. Length/Width/Height:
A/B/C (A=13.5, B=5.0, C=4.5) (standard)
- d. Pack selection:
R: Reel Pack



SCHEMATIC			
SEAR12-042A	SEAR12-042B	SEAR12-042C	SEAR12-042D

T:1.6 Dimensions of PC board holes
Tolerance : ±0.1(Printed-top view)



5	CURVE PIECE	1	BRASS	MB:Cu	Ag	PLATED
4	SPRING PIECE	1	PHOSPHOR BRONZE	MB:Cu	Ag	PLATED
3	SPRING PIECE	1	PHOSPHOR BRONZE	MB:Cu	Ag	PLATED
2	SPRING PIECE	1	PHOSPHOR BRONZE	MB:Cu	Ag	PLATED
1	HOUSING	1	PA9T			
LTR	PART NAME	QTY	MATERIAL	REMARK		

GENAL TOLERANCE ± 0.2	DRAW M. C. WANG	PART NO SEAR12-042X-X-A/B/C-X
	DESIGN H. D. LI	TITLE 2.5MM MINIATURE JACK (SMT)
	CHECKED Y. M. LU	
	APPROVED J. F. KANG	
UNIT :mm		宏揚精密有限公司 HOJAR PRECISION CO., LTD.