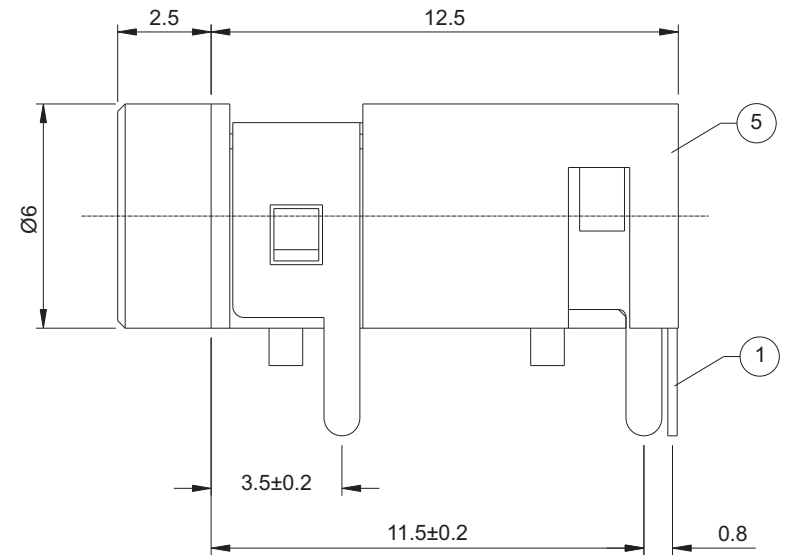
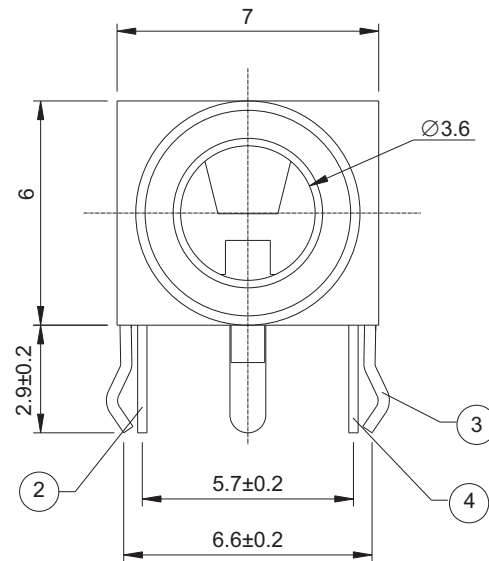
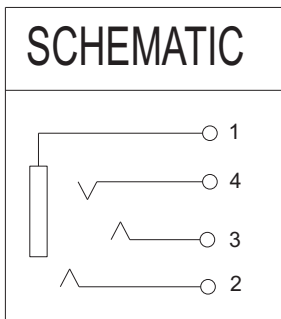



T:1.6 Dimension of PC board holes

Tolerance: ±0.1 (Printed-topview)



5	HOUSING	1	PBT	
4	3#SPRINGPIECE	1	PHOSPHORBRONZE	MB:Cu Ag PLATED
3	CONTACTFOOT	1	BRASS	MB:Cu Ag PLATED
2	2#SPRINGPIECE	1	PHOSPHORBRONZE	MB:Cu Ag PLATED
1	1#SPRINGPIECE	1	PHOSPHORBRONZE	MB:Cu Ag PLATED
LTR	PARTNAME	QTY	MATERIAL	REMARK

GENAL TOLERANCE ± 0.3	DATE H. D. LI	PART NO DHEAR350102-04-BP-B
	DESIGN H. D. LI	
	CHECKED Y. M. LU	TITLE MINIATURE JAC
	APPROVED J. F. KANG	 宏揚精密有限公司 HOJAR PRECISION CO., LTD.
UNIT :mm		