

ORDER INFORMATION:

EAR13- 042X -X X - A/B/C - X
 $\frac{\quad}{a} \frac{\quad}{b} \frac{\quad}{c} - \frac{\quad}{d} - \frac{\quad}{e}$

a. SCHEMATIC:

A

b. Post selection:

1: with post

c. Color:

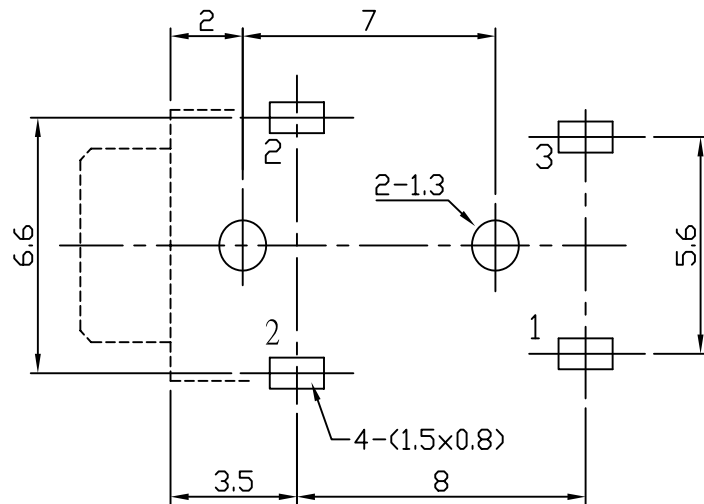
B: Black

d. Length/Width/Height:

A/B/C (A=14.5,B=7.0,C=9.0) (standard)

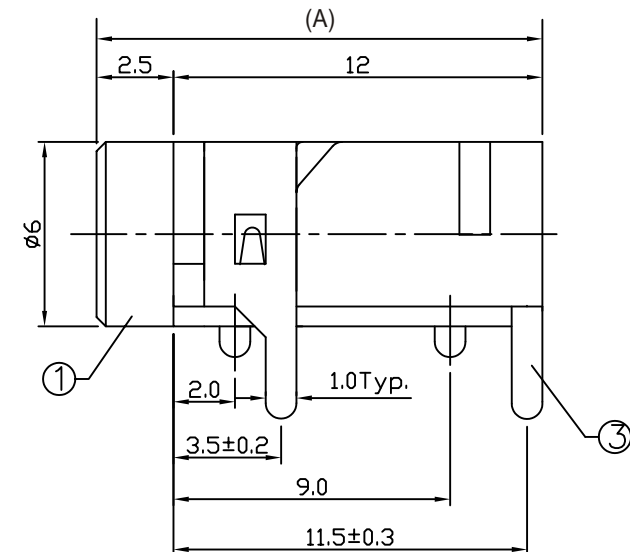
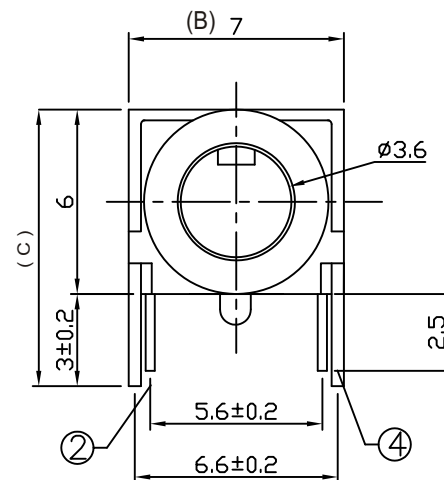
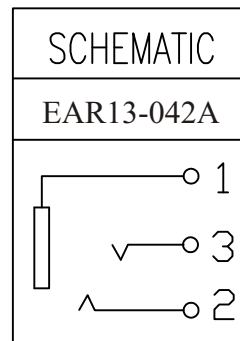
e. Pack selection:

D:Disk Pack



T:1.6 Dimensions of PC board holes

Tolerance : ± 0.1 (Printed-top view)



4	3# CONTACT FOOT	1	BRASS	MB:Cu Ag PLATED
3	2# CONTACT FOOT	1	PHOSPHOR BRONZE	MB:Cu Ag PLATED
2	1# CONTACT FOOT	1	PHOSPHOR BRONZE	MB:Cu Ag PLATED
1	HOUSING	1	PBT	
LTR	PART NAME	QTY	MATERIAL	REMARK

GENAL TOLERANCE ± 0.3	DRAW M. C. WANG	PART NO EAR13-042X-XX-A/B/C-X
	DESIGN H. D. LI	TITLE 3.5mm MINIATURE JACK (DIP)
	CHECKED Y. M. LU	宏揚精密有限公司 HOJAR PRECISION CO., LTD.
UNIT :mm	APPROVED J. F. KANG	