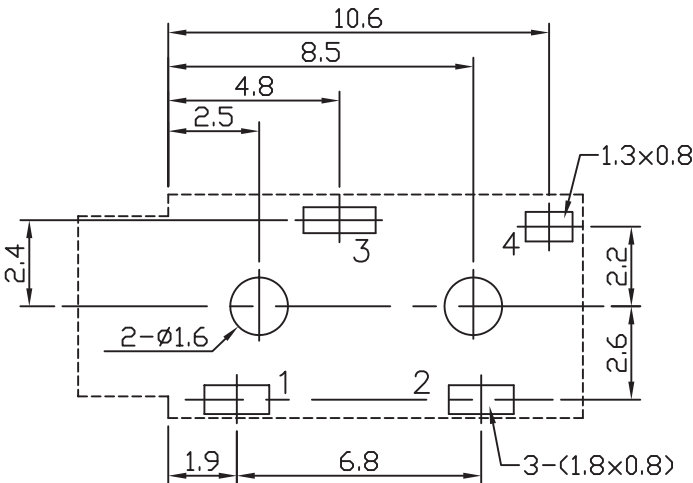


ORDER INFORMATION:

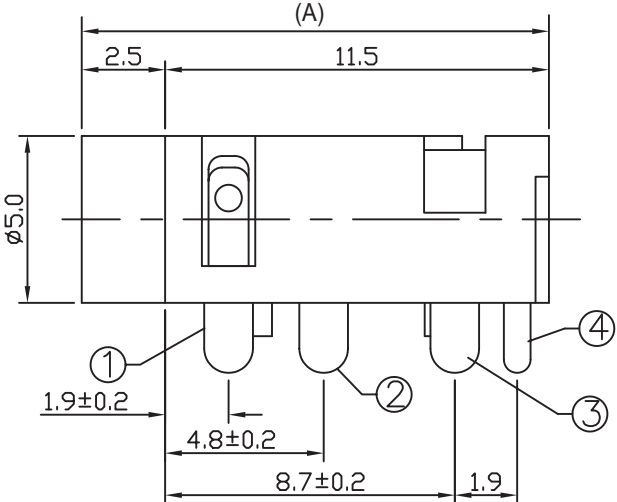
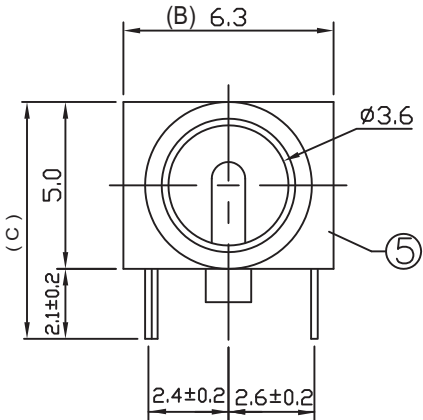
EAR13- 041X -X X - A/B/C - X
 $\frac{\quad}{a} \frac{\quad}{b} \frac{\quad}{c} - \frac{\quad}{d} - \frac{\quad}{e}$

- a. SCHEMATIC:
A、B、C
- b. Post selection:
1: with post
- c. Color:
B: Black
- d. Length/Width/Height:
A/B/C (A=14.0,B=6.3,C=7.1) (standard)
- e. Pack selection:
D:Disk Pack
B:Bag Pack



T:1.6 Dimensions of PC board holes
 Tolerance : ±0.1(Printed-top view)

SCHEMATIC		
EAR13-041A	EAR13-041B	EAR13-041C



5	HOUSING	1	PBT	
4	CURVE PIECE	1	BRASS	MB:Cu Ag PLATED
3	3# SPRING PIECE	1	PHOSPHOR BRONZE	MB:Cu Ag PLATED
2	2# SPRING PIECE	1	PHOSPHOR BRONZE	MB:Cu Ag PLATED
1	1# SPRING PIECE	1	PHOSPHOR BRONZE	MB:Cu Ag PLATED
LTR	PART NAME	QTY	MATERIAL	REMARK

GENAL TOLERANCE ± 0.3	DRAW M. C. WANG	PART NO EAR13-041X-XX-A/B/C-X
	DESIGN H. D. LI	TITLE 3.5mm MINIATURE JACK (DIP)
	CHECKED Y. M. LU	
UNIT :mm	APPROVED J. F. KANG	宏揚精密有限公司 HOJAR PRECISION CO., LTD.