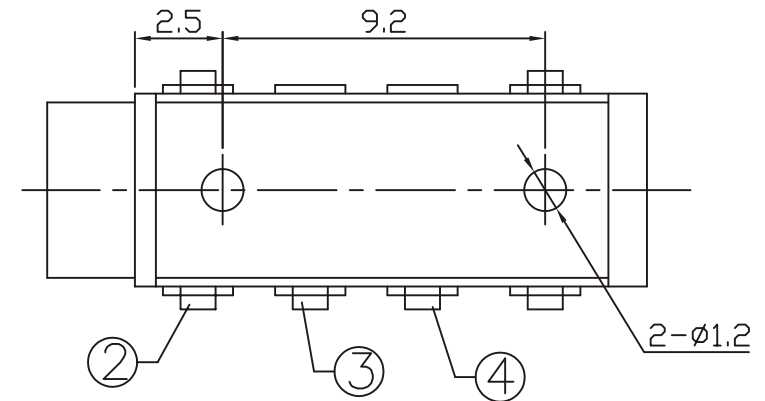
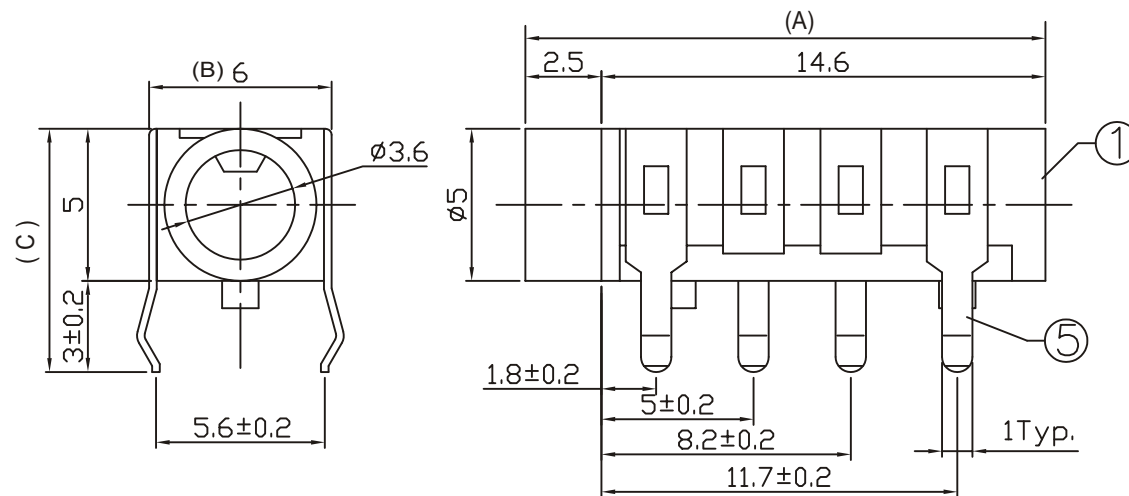


T:1.6 Dimensions of PC board holes  
Tolerance : ±0.1(Printed-top view)

## ORDER INFORMATION:

EAR13- 061 $\frac{X}{a}$  - $\frac{X}{b}$   $\frac{X}{c}$  -  $\frac{A/B/C}{d}$  -  $\frac{X}{e}$

- a. SCHEMATIC:  
A
- b. Post selection:  
1: with post
- c. Color:  
B: Black
- d. Length/Width/Height:  
A/B/C (A=17.1,B=6.0,C=8.0) (standard)
- e. Pack selection:  
D:Disk Pack



5	4# CONTACT FOOT	1	BRONZE	MB:Cu Ag PLATED
4	3# CONTACT FOOT	1	BRONZE	MB:Cu Ag PLATED
3	2# CONTACT FOOT	1	BRONZE	MB:Cu Ag PLATED
2	1# CONTACT FOOT	1	BRONZE	MB:Cu Ag PLATED
1	HOUSING	1	PC	
LTR	PART NAME	QTY	MATERIAL	REMARK

GENAL TOLERANCE ±0.3	DRAW M. C. WANG	PART NO EAR13-061X-XX-A/B/C-X
	DESIGN H. D. LI	TITLE 3.5mm MINIATURE JACK (DIP)
	CHECKED Y. M. LU	
	APPROVED J. F. KANG	
UNIT :mm		宏揚精密有限公司 HOJAR PRECISION CO., LTD.