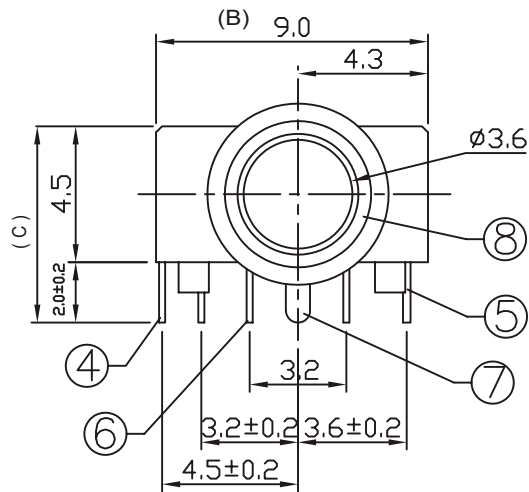


T:1.6 Dimensions of PC board holes
Tolerance : ±0.1(Printed-top view)



SCHEMATIC					
EAR13-062A	EAR13-062B	EAR13-062C	EAR13-062D	EAR13-062E	EAR13-062F

ORDER INFORMATION:

EAR13- 062X -X X - A/B/C - X
a b c d e

a. SCHEMATIC:

A~F

b. Post selection:

1: with post

c. Color:

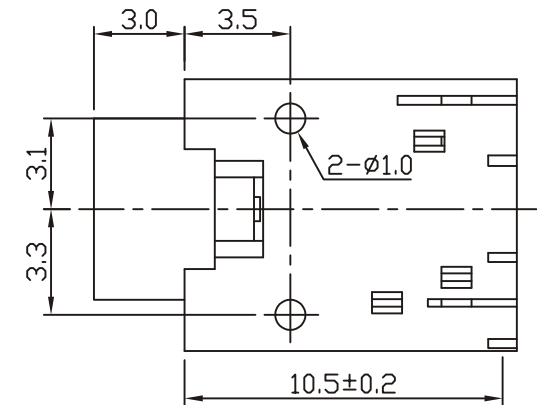
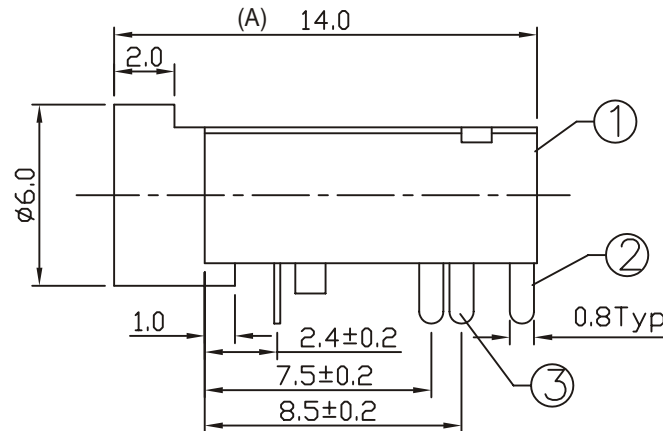
B: Black

d. Length/Width/Height:

A/B/C (A=14.0,B=9.0,C=6.5) (standard)

e. Pack selection:

D:Disk Pack



8	AXIS SUPPORT	1	BRASS	MB:Cu Ni PLATED
7	CONTACT FOOT	1	PHOSPHOR BRONZE	MB:Cu Ag PLATED
6	SPRING PIECE	1	PHOSPHOR BRONZE	MB:Cu Ag PLATED
5	SPRING PIECE	1	PHOSPHOR BRONZE	MB:Cu Ag PLATED
4	CURVE PIECE	1	PHOSPHOR BRONZE	MB:Cu Ag PLATED
3	CONTACT FOOT	1	PHOSPHOR BRONZE	MB:Cu Ag PLATED
2	FLAT PIECE	1	BRASS	MB:Cu Ag PLATED
1	HOUSING	1	PBT	
LTR	PART NAME	QTY	MATERIAL	REMARK

GENAL TOLERANCE ±0.3	DRAW M. C. WANG	PART NO EAR13-062X-XX-A/B/C-X
	DESIGN H. D. LI	TITLE 3.5mm MINIATURE JACK (DIP)
	CHECKED Y. M. LU	
	APPROVED J. F. KANG	
UNIT :mm		宏揚精密有限公司 HOJAR PRECISION CO., LTD.