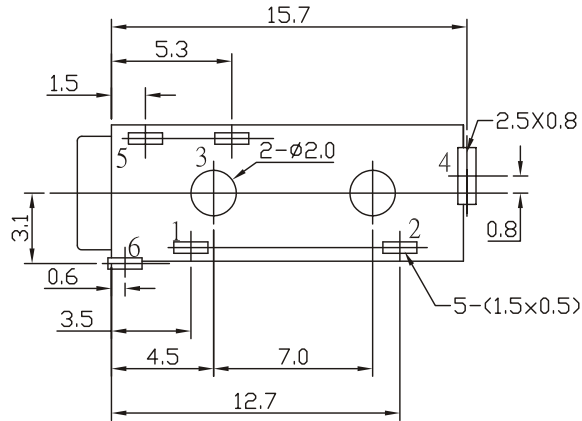


ORDER INFORMATION:

EAR13- 064X -X X - A/B/C - X
 $\frac{a}{b} \frac{c}{d} \frac{e}{e}$



SCHEMATIC				
EAR13-064A	EAR13-064B	EAR13-064C	EAR13-064D	EAR13-064E

a. SCHEMATIC:

A~E

b. Post selection:

1: with post

c. Color:

B: Black

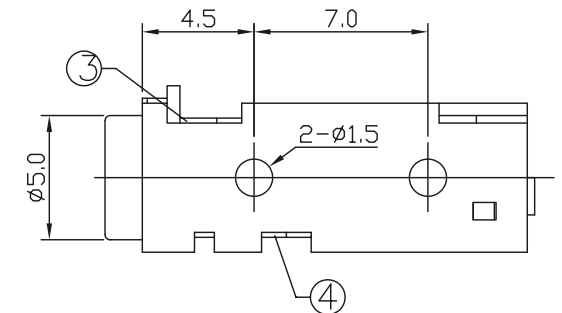
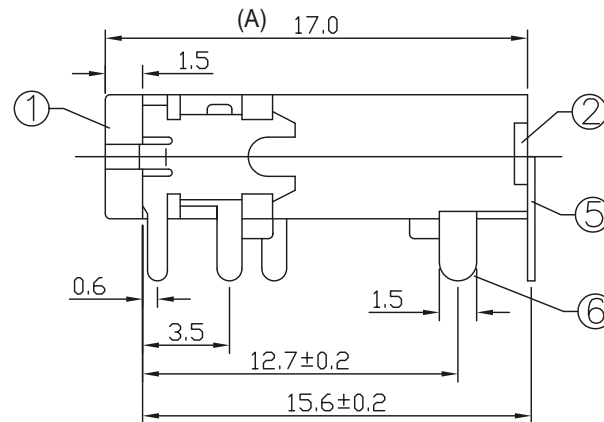
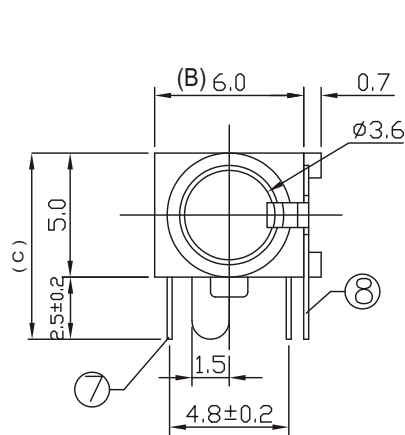
d. Length/Width/Height:

A/B/C (A=17.0,B=6.0,C=7.5) (standard)

e. Pack selection:

D:Disk Pack

T:1.6 Dimensions of PC board holes
 Tolerance : ± 0.1 (Printed-top view)



8	CONTACT FOOT	1	SUS 301	MB:Cu Ag PLATED
7	CURVE PIECE	1	BRASS	MB:Cu Ag PLATED
6	SPRING	1	PHOSPHOR BRONZE	MB:Cu Ag PLATED
5	CURVE PIECE	1	BRASS	MB:Cu Ag PLATED
4	CONTACT FOOT	1	PHOSPHOR BRONZE	MB:Cu Ag PLATED
3	CONTACT FOOT	1	PHOSPHOR BRONZE	MB:Cu Ag PLATED
2	COVER	1	PA46	
1	HOUSING	1	PA46	
LTR	PART NAME	QTY	MATERIAL	REMARK

GENERAL TOLERANCE ± 0.3	DRAW M. C. WANG	PART NO EAR13-064X-XX-A/B/C-X
	DESIGN H. D. LI	TITLE 3.5mm MINIATURE JACK (DIP)
	CHECKED Y. M. LU	
	APPROVED J. F. KANG	
UNIT :mm		宏揚精密有限公司 HOJAR PRECISION CO., LTD.