

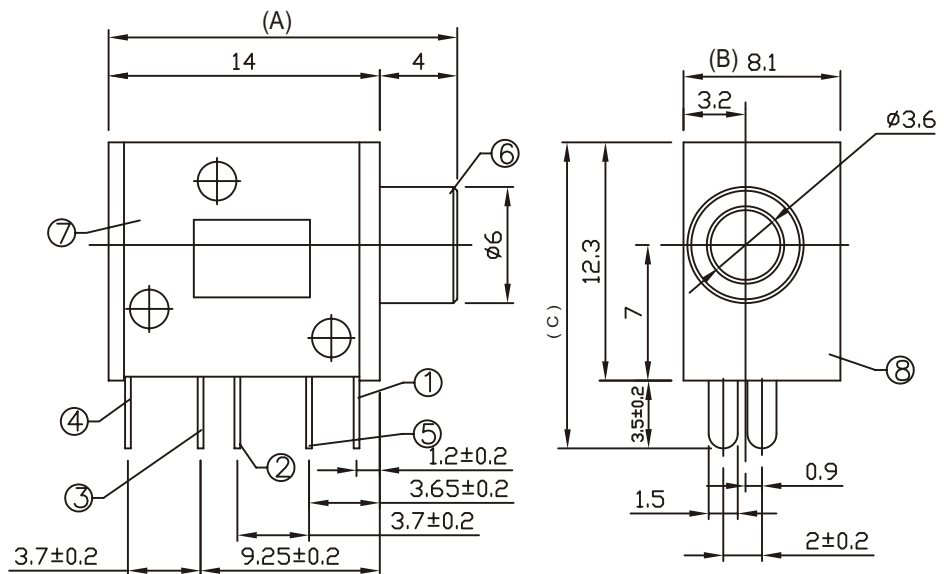
T:1.6 Dimensions of PC board holes
Tolerance : ±0.1(Printed-top view)

ORDER INFORMATION:

EAR13- 052X -X X - A/B/C - X
a b c d e

- a. SCHEMATIC:
A~E
- b. Post selection:
0: without post
- c. Color:
G:Green
R:Red
B:Blue
O:Orange
- d. Length/Width/Height:
A/B/C (A=18.0,B=8.1,C=15.8) (standard)
- e. Pack selection:
D:Disk Pack

SCHEMATIC				
EAR13-052A	EAR13-052B	EAR13-052C	EAR13-052D	EAR13-052E



8	HOUSING	1	PBT	
7	COVER	1	PBT	
6	AXIS SUPPORT	1	BRASS	MB:Cu Ni PLATED
5	SPRING PIECE	1	PHOSPHOR BRONZE	MB:Cu Ag PLATED
4	CURVE PIECE	1	BRASS	MB:Cu Ag PLATED
3	SPRING PIECE	1	PHOSPHOR BRONZE	MB:Cu Ag PLATED
2	CURVE PIECE	1	BRASS	MB:Cu Ag PLATED
1	FLAT PIECE	1	BRASS	MB:Cu Ag PLATED
LTR	PART NAME	QTY	MATERIAL	REMARK

GENAL TOLERANCE ±0.3	DRAW M. C. WANG	PART NO EAR13-052X-XX-A/B/C-X
	DESIGN H. D. LI	TITLE 3.5mm MINIATURE JACK (DIP)
	CHECKED Y. M. LU	
UNIT :mm	APPROVED J. F. KANG	宏揚精密有限公司 HOJAR PRECISION CO., LTD.