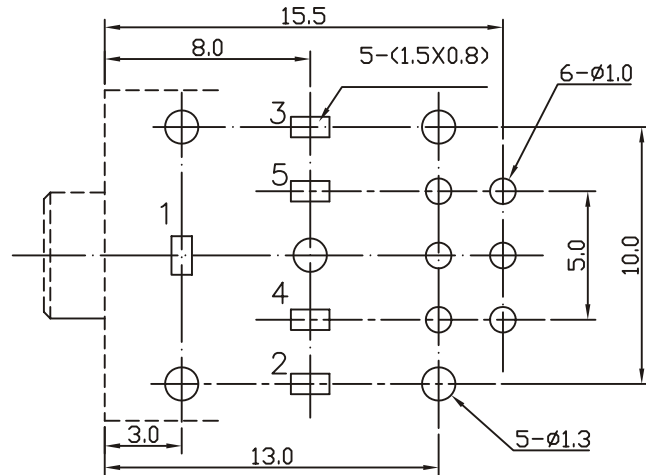


# ORDER INFORMATION:

EAR13- 053X -X X - A/B/C - X  
 $\frac{\quad}{a} \frac{\quad}{b} \frac{\quad}{c} - \frac{\quad}{d} - \frac{\quad}{e}$

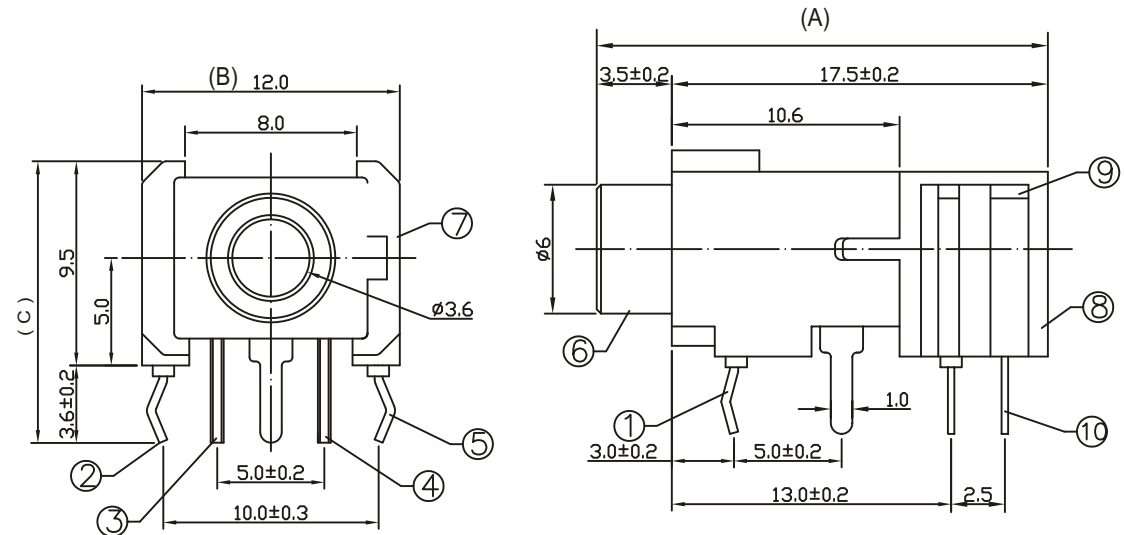
- a. SCHEMATIC:  
A~E
- b. Post selection:  
1: with post
- c. Color:  
B: Black
- d. Length/Width/Height:  
A/B/C (A=21.0,B=12.0,C=13.1) (standard)
- e. Pack selection:  
D:Disk Pack



T:1.6 Dimensions of PC board holes  
 Tolerance : ±0.1(Printed-top view)

SCHEMATIC				
EAR13-053A	EAR13-053B	EAR13-053C	EAR13-053D	EAR13-053E

10	8# CONTACT FOOT	6	BRASS	MB:Cu Ag PLATED
9	SWITCH COVER	1	PBT	
8	SWITCH	6	PBT	
7	HOUSING	1	PBT	
6	AXIS SUPPORT	1	BRASS	MB:Cu Ni PLATED
5	5# CONTACT	1	BRONZE	MB:Cu Ag PLATED
4	4# CONTACT	1	BRASS	MB:Cu Ag PLATED
3	3# CONTACT	1	BRASS	MB:Cu Ag PLATED
2	2# CONTACT	1	BRONZE	MB:Cu Ag PLATED
1	1# CONTACT	1	BRASS	MB:Cu Ag PLATED
LTR	PART NAME	QTY	MATERIAL	REMARK



GENAL TOLERANCE ± 0.3	DRAW M. C. WANG	PART NO EAR13-053X-XX-A/B/C-X
	DESIGN H. D. LI	TITLE 3.5mm MINIATURE JACK (DIP)
	CHECKED Y. M. LU	
UNIT :mm	APPROVED J. F. KANG	宏揚精密有限公司 HOJAR PRECISION CO., LTD.