

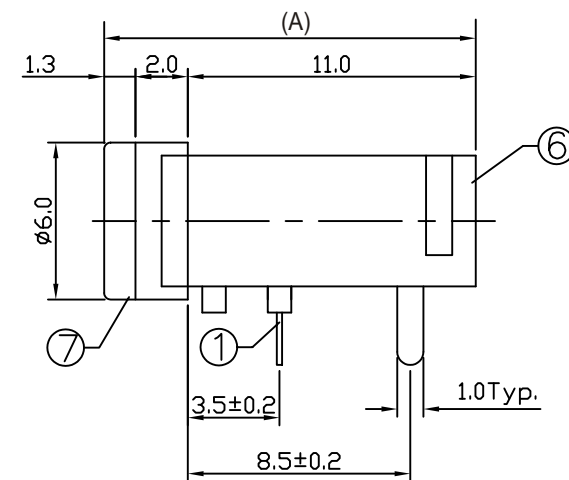
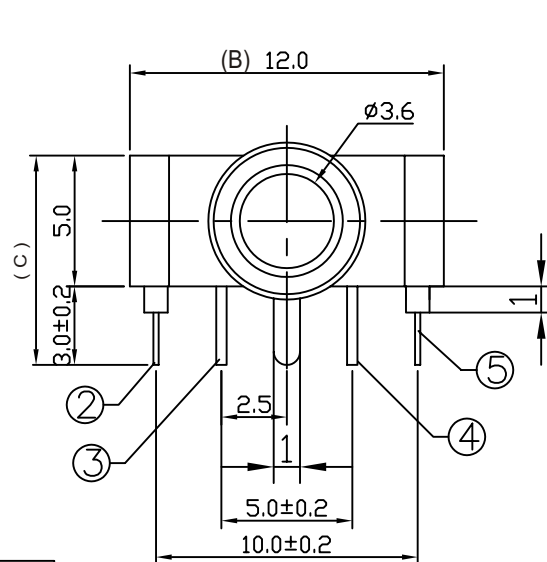
T:1.6 Dimensions of PC board holes
Tolerance : ±0.1(Printed-top view)

ORDER INFORMATION:

EAR13- 059X -X X - A/B/C - X
a b c d e

- a. SCHEMATIC: A~D
- b. Post selection: 1: with post
- c. Color: B: Black
- d. Length/Width/Height: A/B/C (A=14.3,B=12.0,C=8.0) (standard)
- e. Pack selection: D:Disk Pack

SCHEMATIC			
EAR13-059A	EAR13-059B	EAR13-059C	EAR13-059D



LTR	PART NAME	QTY	MATERIAL	REMARK
7	AXIS SUPPORT	1	BRASS	MB:Cu Ni PLATED
6	HOUSING	1	PBT	
5	5# CONTACT FOOT	1	BRONZE	MB:Cu Ag PLATED
4	4# CONTACT FOOT	1	BRASS	MB:Cu Ag PLATED
3	3# CONTACT FOOT	1	BRASS	MB:Cu Ag PLATED
2	2# CONTACT FOOT	1	BRONZE	MB:Cu Ag PLATED
1	1# CONTACT FOOT	1	BRONZE	MB:Cu Ag PLATED

GENAL TOLERANCE ± 0.3	DRAW M. C. WANG	PART NO EAR13-059X-XX-A/B/C-X
	DESIGN H. D. LI	TITLE 3.5mm MINIATURE JACK (DIP)
	CHECKED Y. M. LU	宏揚精密有限公司 HOJAR PRECISION CO., LTD.
	APPROVED J. F. KANG	
UNIT :mm		