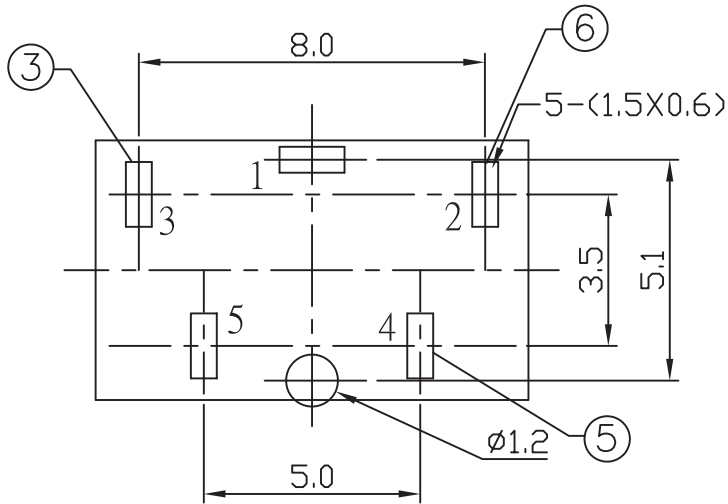


ORDER INFORMATION:

EAR13-051VX - X X X - A/B/C - X
 $\frac{\quad}{a} \frac{\quad}{b} \frac{\quad}{c} \frac{\quad}{d} \frac{\quad}{e}$

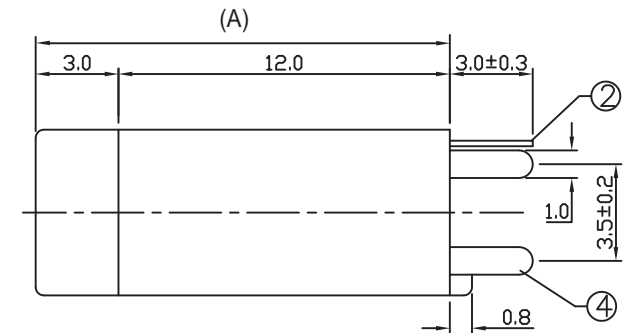
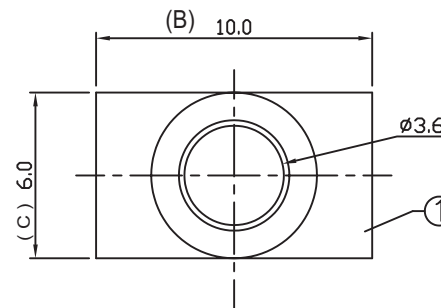
- a. SCHEMATIC:
A~D
- b. Post selection:
1: with post
- c. Color:
B: Black
- d. Length/Width/Height:
A/B/C (A=15.0,B=10.0,C=6.0) (standard)
- e. Pack selection:
D:Disk Pack



T:1.6 Dimensions of PC board holes

Tolerance : ±0.1(Printed-top view)

SCHEMATIC			
EAR13-052VA	EAR13-052VB	EAR13-052VC	EAR13-052VD



6	SPRING PIECE	1	PHOSPHOR BRONZE	MB:Cu Ag PLATED
5	FLAT PIECE	1	BRASS	MB:Cu Ag PLATED
4	FLAT PIECE	1	BRASS	MB:Cu Ag PLATED
3	SPRING PIECE	1	PHOSPHOR BRONZE	MB:Cu Ag PLATED
2	CONTACT FOOT	1	BRASS	MB:Cu Ag PLATED
1	HOUSING	1	PBT	
LTR	PART NAME	QTY	MATERIAL	REMARK

GENAL TOLERANCE ± 0.3	DRAW M. C. WANG	PART NO EAR13-051VX-XX-A/B/C-X
	DESIGN H. D. LI	TITLE 3.5mm MINIATURE JACK (DIP)
	CHECKED Y. M. LU	
	APPROVED J. F. KANG	
UNIT :mm		宏揚精密有限公司 HOJAR PRECISION CO., LTD.