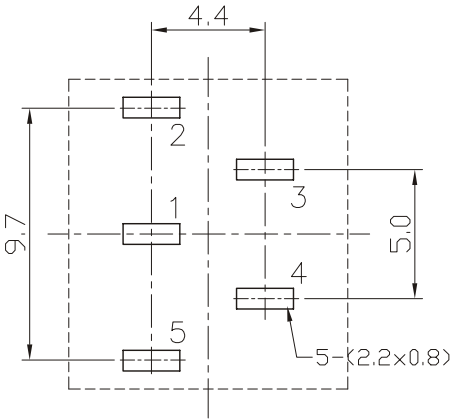


# ORDER INFORMATION:

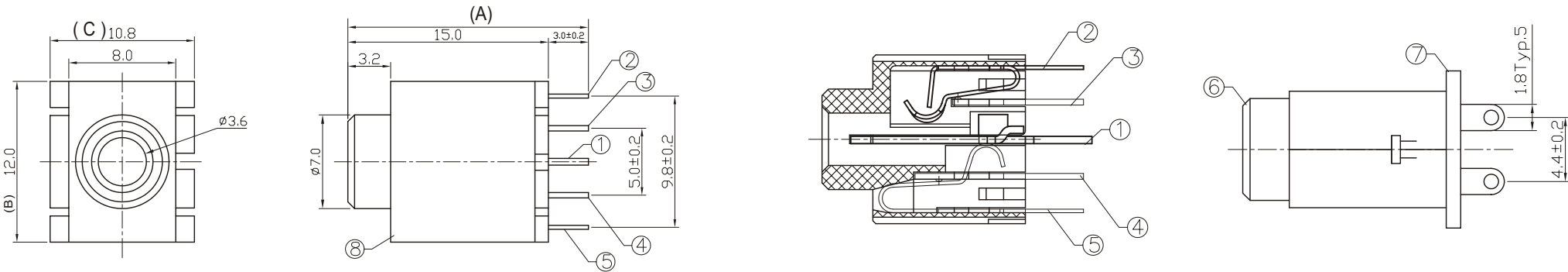
EAR13- 052V $\frac{X}{a}$  - $\frac{X}{b}$   $\frac{X}{c}$  -  $\frac{A/B/C}{d}$  -  $\frac{X}{e}$

- a. SCHEMATIC:  
A~C
- b. Post selection:  
0: without post
- c. Color:  
B: Black
- d. Length/Width/Height:  
A/B/C (A=18.0,B=12.0,C=10.8) (standard)
- e. Pack selection:  
D:Disk Pack



SCHEMATIC		
EAR13-052VA	EAR13-052VB	EAR13-052VC

T:1.6 Dimensions of PC board holes  
Tolerance : ±0.1(Printed-top view)



8	COAT	1	IRON	MB:Cu Ni PLATED
7	COVER	1	PBT	
6	HOUSING	1	PBT	
5	SPRING	1	PHOSPHOR BRONZE	MB:Cu Ag PLATED
4	FLAT PIECE	1	BRASS	MB:Cu Ag PLATED
3	FLAT PIECE	1	BRASS	MB:Cu Ag PLATED
2	SPRING	1	PHOSPHOR BRONZE	MB:Cu Ag PLATED
1	1# CONTACT FOOT	1	PHOSPHOR BRONZE	MB:Cu Ag PLATED
LTR	PART NAME	QTY	MATERIAL	REMARK

GENAL TOLERANCE ±0.3	DRAW M. C. WANG	PART NO EAR13-052VX-XX-A/B/C-X
	DESIGN H. D. LI	TITLE 3.5mm MINIATURE JACK (DIP)
	CHECKED Y. M. LU	
UNIT :mm	APPROVED J. F. KANG	宏揚精密有限公司 HOJAR PRECISION CO., LTD.