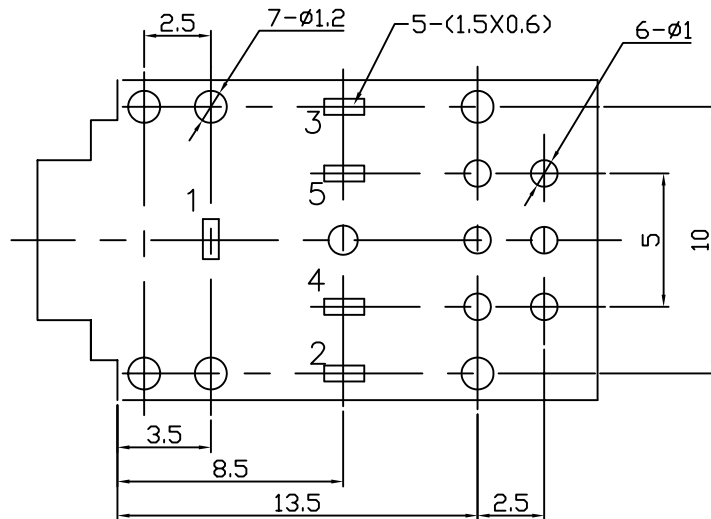


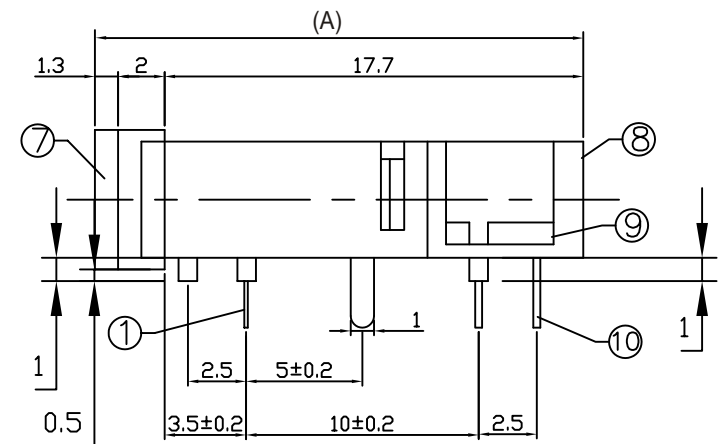
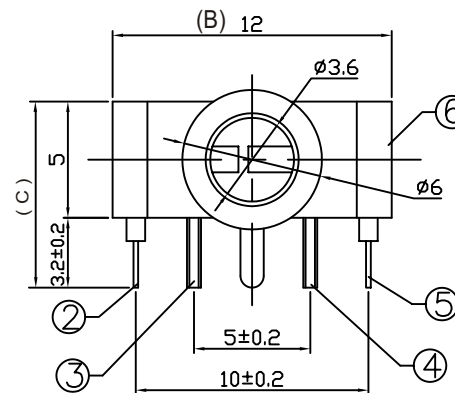
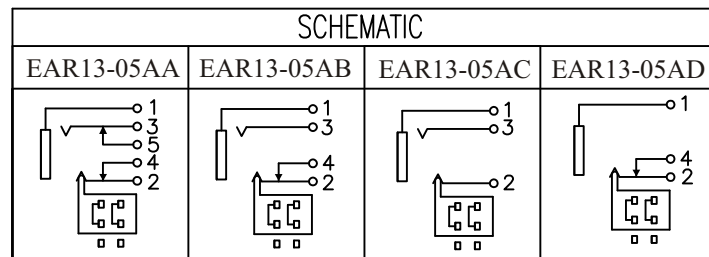
ORDER INFORMATION:

EAR13- 05AX -XX - A/B/C - X
 $\frac{\quad}{a} \frac{\quad}{b} \frac{\quad}{c} - \frac{\quad}{d} \frac{\quad}{e}$

- a. SCHEMATIC:
A~D
- b. Post selection:
1: with post
- c. Color:
B: Black
- d. Length/Width/Height:
A/B/C (A=21.0,B=12.0,C=8.2) (standard)
- e. Pack selection:
D:Disk Pack



T:1.6 Dimensions of PC board holes
 Tolerance : ±0.1(Printed-top view)



10	CONTACT FOOT	6	BRASS	MB:Cu Ag PLATED
9	SWITCH COVER	1	PF	
8	SWITCH HOUSING	1	PA66	
7	AXIS SUPPORT	1	BRASS	MB:Cu Ni PLATED
6	HOUSING	1	PA66	
5	5# CONTACT FOOT	1	ALDARY	MB:Cu Ag PLATED
4	4# CONTACT FOOT	1	BRASS	MB:Cu Ag PLATED
3	3# CONTACT FOOT	1	BRASS	MB:Cu Ag PLATED
2	2# CONTACT FOOT	1	ALDARY	MB:Cu Ag PLATED
1	1# CONTACT FOOT	1	BRONZE	MB:Cu Sn PLATED
LTR	PART NAME	QTY	MATERIAL	REMARK

GENAL TOLERANCE ± 0.3	DRAW M. C. WANG	PART NO EAR13-05AX-XX-A/B/C-X
	DESIGN H. D. LI	TITLE 3.5mm MINIATURE JACK (DIP)
	CHECKED Y. M. LU	
UNIT :mm	APPROVED J. F. KANG	宏揚精密有限公司 HOJAR PRECISION CO., LTD.