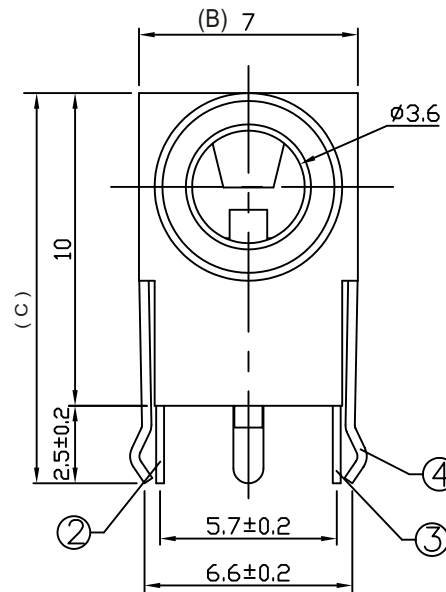
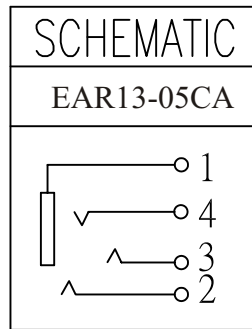


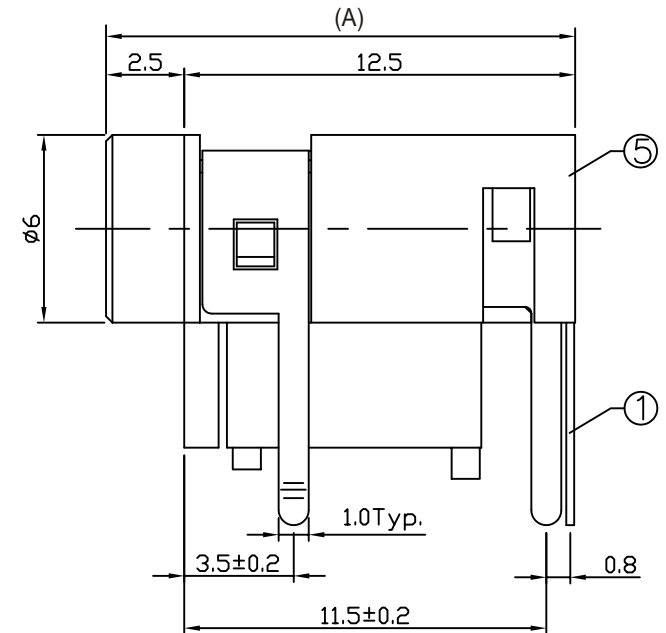
T:1.6 Dimensions of PC board holes  
Tolerance : ±0.1(Printed-top view)



## ORDER INFORMATION:

EAR13- 05CX -X X - A/B/C - X  
a b c d e

- a. SCHEMATIC:  
A
- b. Post selection:  
1: with post
- c. Color:  
B: Black
- d. Length/Width/Height:  
A/B/C (A=15.0,B=7.0,C=12.5) (standard)
- e. Pack selection:  
D:Disk Pack



5	HOUSING	1	PBT	
4	CONTCAT FOOT	1	BRASS	MB:Cu Ag PLATED
3	SPRING PIECE	1	PHOSPHOR BRONZE	MB:Cu Ag PLATED
2	SPRING PIECE	1	PHOSPHOR BRONZE	MB:Cu Ag PLATED
1	CONTACT FOOT	1	PHOSPHOR BRONZE	MB:Cu Ag PLATED
LTR	PART NAME	QTY	MATERIAL	REMARK

GENAL TOLERANCE ± 0.3	DRAW M. C. WANG	PART NO EAR13-05CX-XX-A/B/C-X
	DESIGN H. D. LI	TITLE 3.5mm MINIATURE JACK (DIP)
	CHECKED Y. M. LU	
	APPROVED J. F. KANG	
UNIT :mm		宏揚精密有限公司 HOJAR PRECISION CO., LTD.