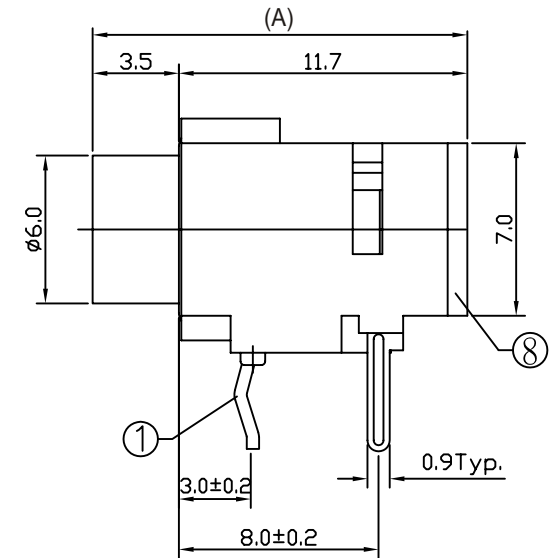
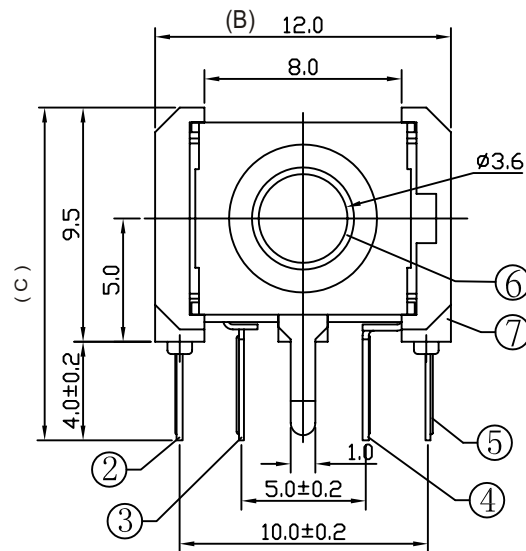
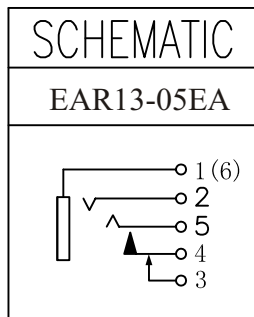


T:1.6 Dimensions of PC board holes
Tolerance : ±0.1(Printed-top view)



ORDER INFORMATION:

EAR13-05EX - $\frac{X}{a}$ $\frac{X}{b}$ $\frac{X}{c}$ - $\frac{A/B/C}{d}$ - $\frac{X}{e}$

- a. SCHEMATIC:
A
- b. Post selection:
1: with post
- c. Color:
B: Black
- d. Length/Width/Height:
A/B/C (A=15.2,B=12.0,C=13.5) (standard)
- e. Pack selection:
D:Disk Pack

8	COVER	1	PBT	
7	HOUSING	1	PBT	
6	AXIS SUPPORT	1	BRASS	MB:Cu Ni PLATED
5	SPRING PIECE	1	PHOSPHOR BRONZE	MB:Cu Ag PLATED
4	CONTACT FOOT	1	SUS 301	MB:Cu Ag PLATED
3	CONTACT FOOT	1	PHOSPHOR BRONZE	MB:Cu Ag PLATED
2	SPRING PIECE	1	SUS 301	MB:Cu Ag PLATED
1	CONTACT FOOT	1	BRASS	MB:Cu Ag PLATED
LTR	PART NAME	QTY	MATERIAL	REMARK

GENAL TOLERANCE ± 0.3	DRAW M. C. WANG	PART NO EAR13-05EX-XX-A/B/C-X
	DESIGN H. D. LI	TITLE 3.5mm MINIATURE JACK (DIP)
	CHECKED Y. M. LU	
UNIT :mm	APPROVED J. F. KANG	宏揚精密有限公司 HOJAR PRECISION CO., LTD.