

ORDER INFORMATION:

EAR13- 05FX -X X - A/B/C - X
 $\frac{\quad}{a} \frac{\quad}{b} \frac{\quad}{c} - \frac{\quad}{d} \frac{\quad}{e}$

a. SCHEMATIC:

A

b. Post selection:

1: with post

c. Color:

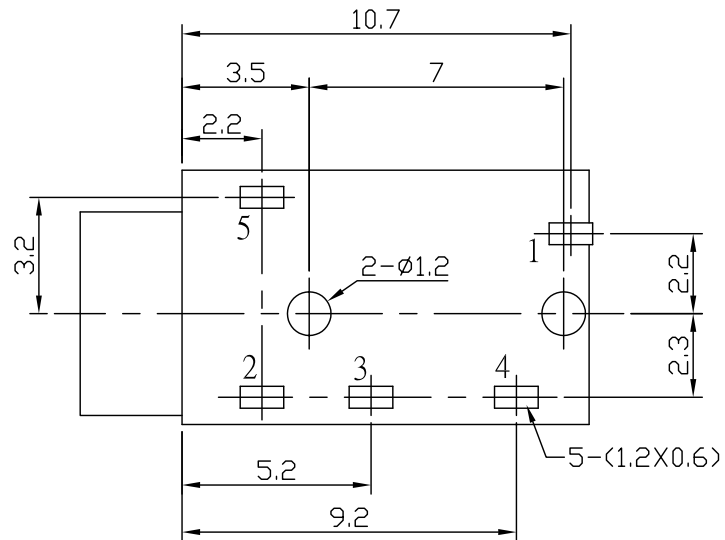
B: Black

d. Length/Width/Height:

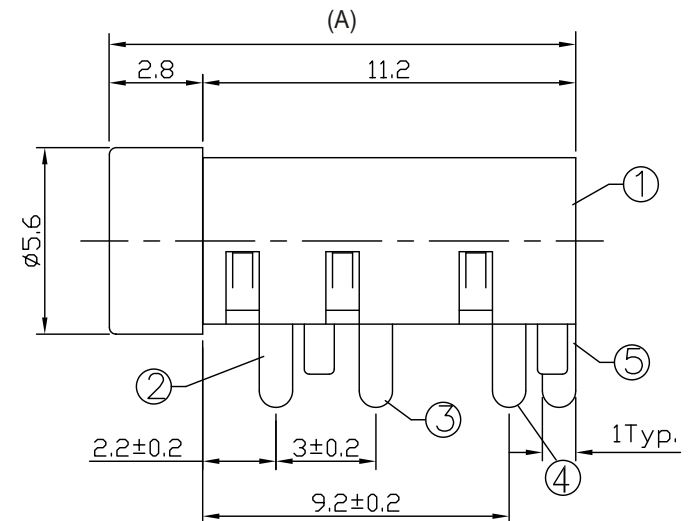
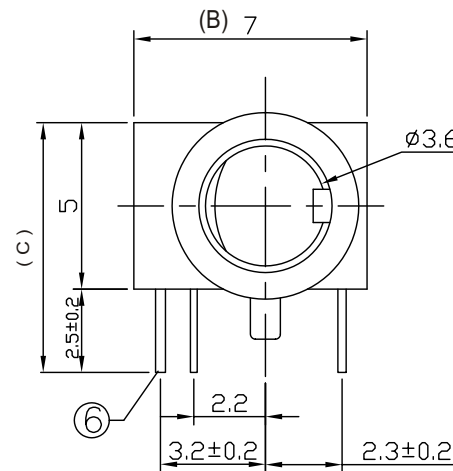
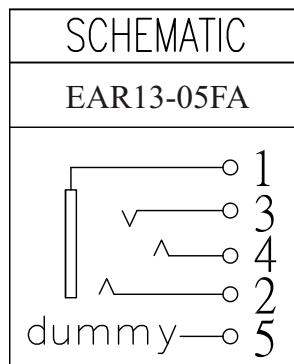
A/B/C (A=14.0,B=7.0,C=7.5) (standard)

e. Pack selection:

D:Disk Pack



T:1.6 Dimensions of PC board holes
 Tolerance : ±0.1(Printed-top view)



| | | | | |
|-----|--------------|-----|-----------------|-----------------|
| 6 | DUMMY FOOT | 1 | BRASS | MB:Cu Ag PLATED |
| 5 | SPRING | 1 | PHOSPHOR BRONZE | MB:Cu Ag PLATED |
| 4 | CONTACT FOOT | 1 | PHOSPHOR BRONZE | MB:Cu Ag PLATED |
| 3 | CONTACT FOOT | 1 | PHOSPHOR BRONZE | MB:Cu Ag PLATED |
| 2 | CONTACT FOOT | 1 | PHOSPHOR BRONZE | MB:Cu Ag PLATED |
| 1 | HOUSING | 1 | PBT | |
| LTR | PART NAME | QTY | MATERIAL | REMARK |

| | | |
|--------------------------|------------------------|---------------------------------------|
| GENAL TOLERANCE ± 0.3 | DRAW M. C. WANG | PART NO EAR13-05FX-XX-A/B/C-X |
| | DESIGN H. D. LI | TITLE 3.5mm MINIATURE JACK (DIP) |
| | CHECKED Y. M. LU | |
| UNIT :mm | APPROVED J. F. KANG | 宏揚精密有限公司 HOJAR PRECISION CO., LTD. |