

ORDER INFORMATION:

EAR13- 05HX - $\frac{X}{a}$ $\frac{X}{b}$ $\frac{X}{c}$ - $\frac{A/B/C}{d}$ - $\frac{X}{e}$

a. SCHEMATIC:

A

b. Post selection:

1: with post

c. Color:

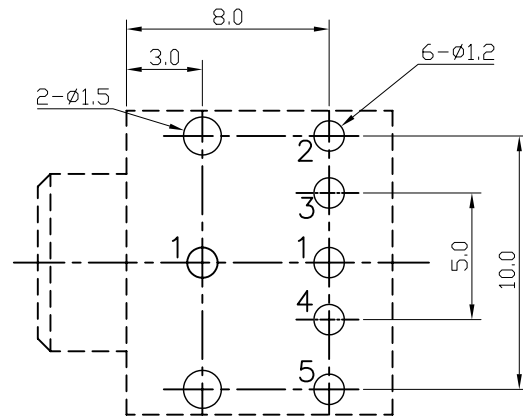
B: Black

d. Length/Width/Height:

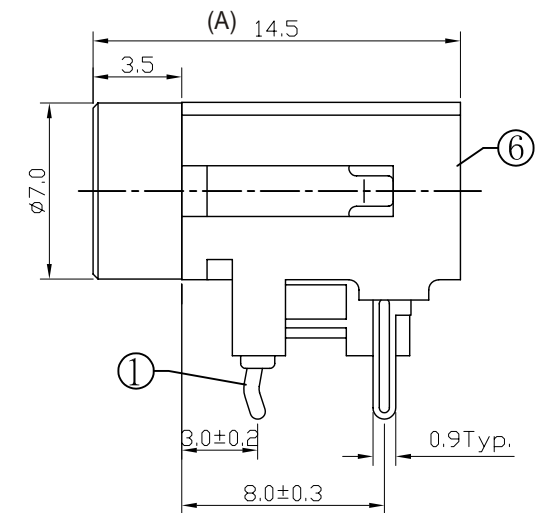
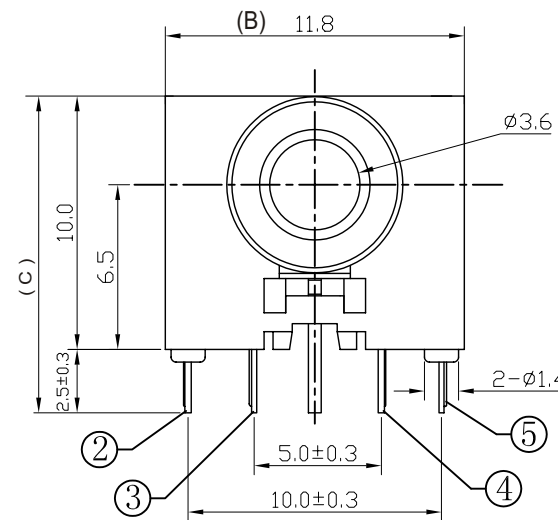
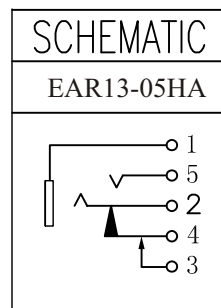
A/B/C (A=14.5,B=11.8,C=12.5) (standard)

e. Pack selection:

D:Disk Pack



T:1.6 Dimensions of PC board holes
Tolerance : ± 0.1 (Printed-top view)



7	PIECE	1	PA66	
6	HOUSING	1	PBT	
5	SPRING PIECE	1	PHOSPHOR BRONZE	MB:Cu Ag PLATED
4	CONTACT FOOT	1	BRASS	MB:Cu Ag PLATED
3	CONTACT FOOT	1	BRASS	MB:Cu Ag PLATED
2	SPRING PIECE	1	PHOSPHOR BRONZE	MB:Cu Ag PLATED
1	CONTACT FOOT	1	BRASS	MB:Cu Ag PLATED
LTR	PART NAME	QTY	MATERIAL	REMARK

GENAL TOLERANCE ± 0.3	DRAW M. C. WANG	PART NO EAR13-05HX-XX-A/B/C-X
	DESIGN H. D. LI	TITLE 3.5mm MINIATURE JACK (DIP)
	CHECKED Y. M. LU	
UNIT :mm	APPROVED J. F. KANG	宏揚精密有限公司 HOJAR PRECISION CO., LTD.