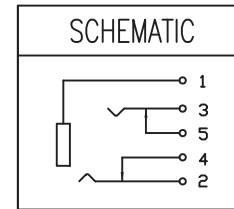
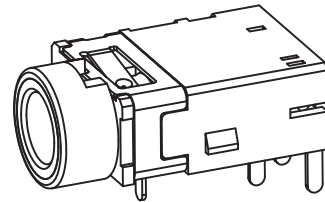
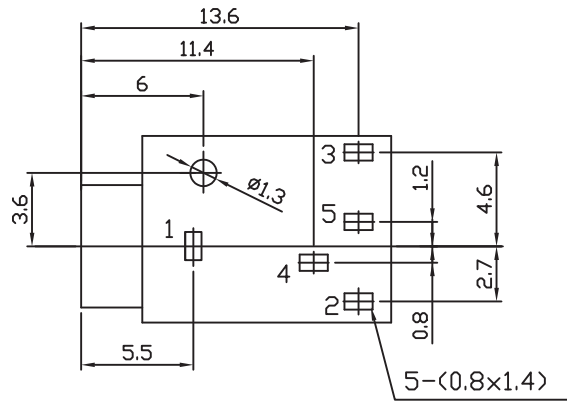


ORDER INFORMATION:

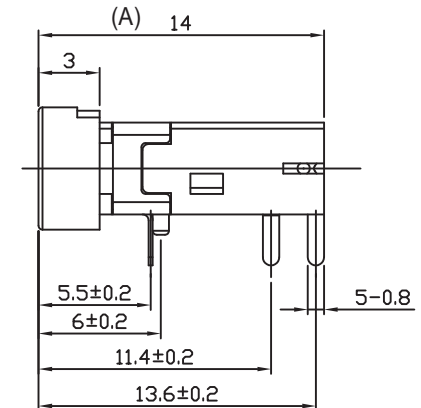
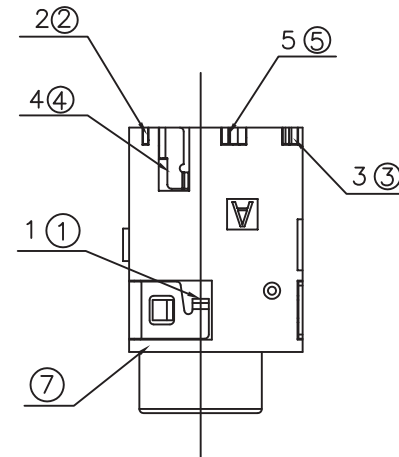
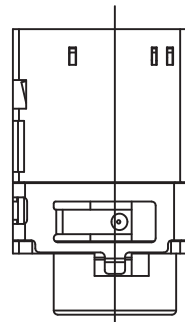
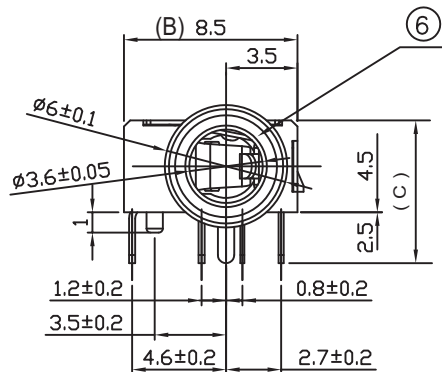
EAR13-05I $\frac{X}{a} - \frac{X}{b} \frac{X}{c} - \frac{A/B/C}{d} - \frac{X}{e}$



- a. SCHEMATIC:
A
- b. Post selection:
1: with post
- c. Color:
B: Black
- d. Length/Width/Height:
A/B/C (A=14.0,B=8.5,C=7.0) (standard)
- e. Pack selection:
D:Disk Pack

T:1.6 Dimensions of PC board holes

Tolerance : ± 0.1 (Printed-TOP view)



7	HUOSING	1	PA-FR	
6	TERMINAL 6	1	H59 $\phi=5.0$	MB:Cu Ni PLATED
5	TERMINAL 5	1	BRASS $t=0.30$	MB:Cu Ag PLATED
4	TERMINAL 4	1	BRASS $t=0.20$	MB:Cu Ag PLATED
3	TERMINAL 3	1	PHOSPHOR BRONZE $t=0.30$	MB:Cu Ag PLATED
2	TERMINAL 2	1	PHOSPHOR BRONZE $t=0.25$	MB:Cu Ag PLATED
1	TERMINAL 1	1	PHOSPHOR BRONZE $t=0.20$	MB:Cu Ag PLATED
LTR	PART NAME	QTY	MATERIAL	REMARK

GENAL TOLERANCE ± 0.3	DRAW M. C. WANG	PART NO EAR13-05IX-XX-A/B/C-X
	DESIGN H. D. LI	TITLE 3.5mm MINIATURE JACK (DIP)
	CHECKED Y. M. LU	
UNIT :mm	APPROVED J. F. KANG	宏揚精密有限公司 HOJAR PRECISION CO., LTD.