

ORDER INFORMATION:

EAR13- 071X - $\frac{X}{a} \frac{X}{b} \frac{X}{c}$ - $\frac{A/B/C}{d}$ - $\frac{X}{e}$

a. SCHEMATIC:

A~D

b. Post selection:

1: with post

c. Color:

B: Black

H: Hoar

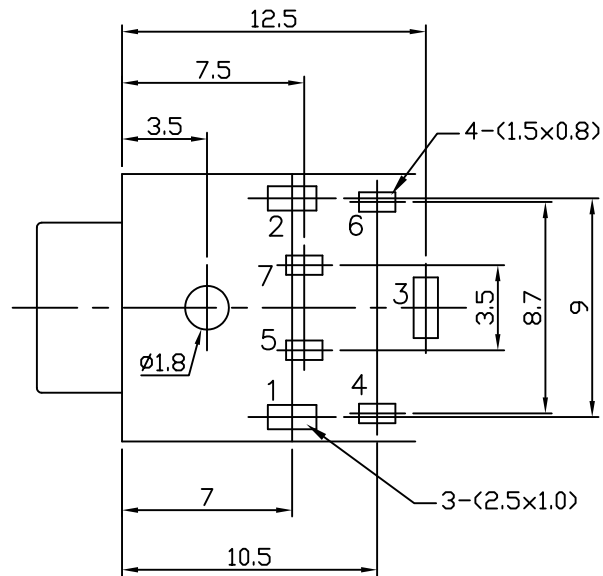
G: Green

d. Length/Width/Height:

A/B/C (A=17.0,B=11.0,C=14.0) (standard)

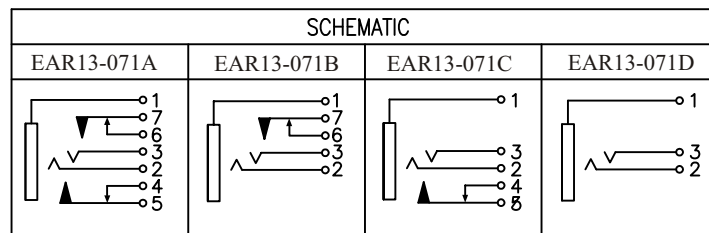
e. Pack selection:

D:Disk Pack

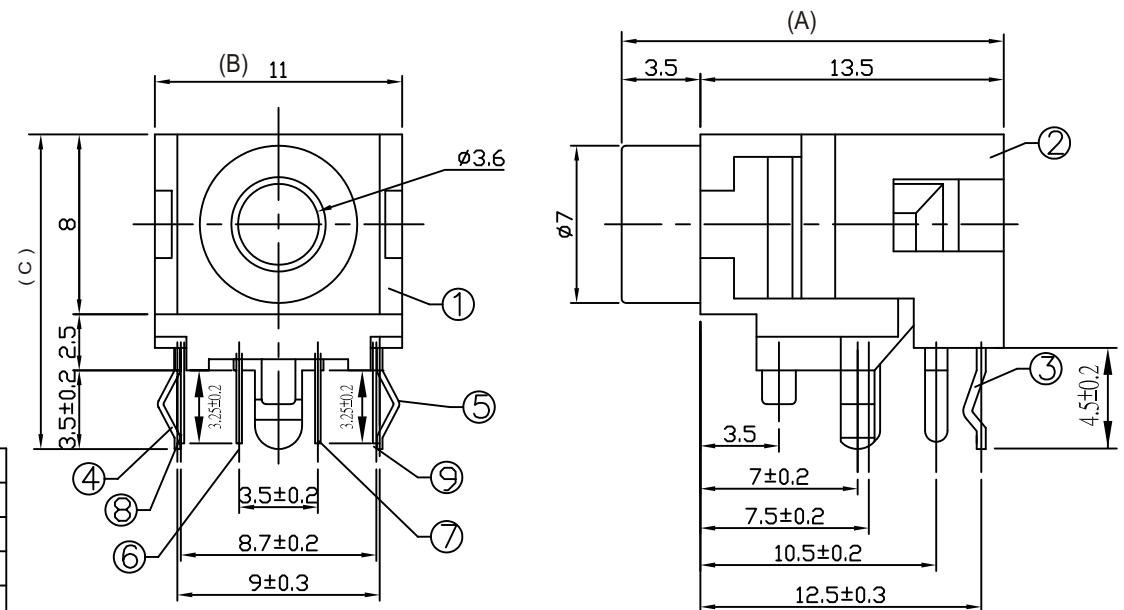


T:1.6 Dimensions of PC board holes

Tolerance : ± 0.1 (Printed-top view)



9	7#CONTACT FOOT	1	BRASS	MB:Cu	Ag	PLATED
8	6#CONTACT FOOT	1	BRASS	MB:Cu	Ag	PLATED
7	5#CONTACT FOOT	1	BRONZE	MB:Cu	Ag	PLATED
6	4#CONTACT FOOT	1	BRONZE	MB:Cu	Ag	PLATED
5	3#CONTACT FOOT	1	BRONZE	MB:Cu	Ag	PLATED
4	2#CONTACT FOOT	1	BRONZE	MB:Cu	Ag	PLATED
3	1#CONTACT FOOT	1	BRONZE	MB:Cu	Ag	PLATED
2	COVER(white)	1	POM			
1	HOUSING(black)	1	PBT			
LTR	PART NAME	QTY	MATERIAL	REMARK		



GENAL TOLERANCE ± 0.3	DRAW M. C. WANG	PART NO EAR13-071X-XX-A/B/C-X
	DESIGN H. D. LI	TITLE 3.5mm MINIATURE JACK (DIP)
	CHECKED Y. M. LU	
UNIT :mm	APPROVED J. F. KANG	宏揚精密有限公司 HOJAR PRECISION CO., LTD.