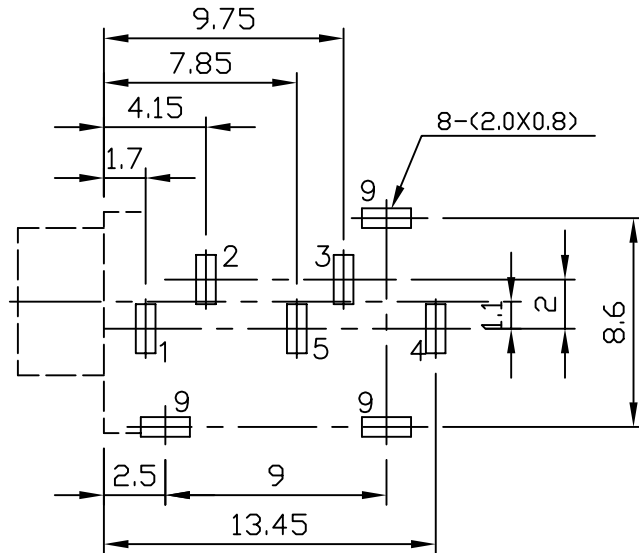


# ORDER INFORMATION:

EAR13-081X -  $\frac{X}{a} \frac{X}{b} \frac{X}{c}$  -  $\frac{A/B/C}{d}$  -  $\frac{X}{e}$

- a. SCHEMATIC:  
A~E
- b. Post selection:  
0: without post
- c. Color:  
B: Black
- d. Length/Width/Height:  
A/B/C (A=18.4,B=9.7,C=16.2) (standard)
- e. Pack selection:  
D:Disk Pack

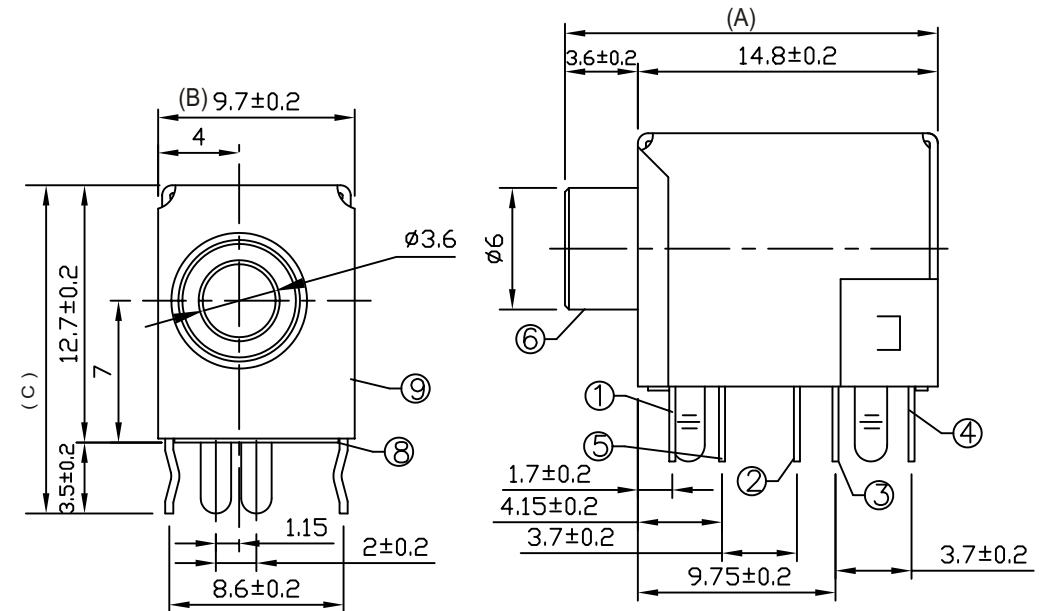


T:1.6 Dimensions of PC board holes  
Tolerance : ±0.1(Printed-top view)

## SCHEMATIC

EAR13-081A	EAR13-081B	EAR13-081C	EAR13-081D	EAR13-081E

9	COAT	1	BRASS	MB:Cu Ni PLATED
8	HOUSING	1	PBT	
7	COVER	1	PBT	
6	AXIS SUPPORT	1	BRASS	MB:Cu Ni PLATED
5	SPRING PIECE	1	BRONZE	MB:Cu Ag PLATED
4	CURVE PIECE	1	BRASS	MB:Cu Ag PLATED
3	SPRING PIECE	1	BRONZE	MB:Cu Ag PLATED
2	CURVE PIECE	1	BRASS	MB:Cu Ag PLATED
1	FLAT PIECE	1	BRASS	MB:Cu Ag PLATED
LTR	PART NAME	QTY	MATERIAL	REMARK



GENAL TOLERANCE ± 0.3	DRAW M. C. WANG	PART NO EAR13-081X-XX-A/B/C-X
	DESIGN H. D. LI	TITLE 3.5mm MINIATURE JACK (DIP)
	CHECKED Y. M. LU	
UNIT :mm	APPROVED J. F. KANG	宏揚精密有限公司 HOJAR PRECISION CO., LTD.