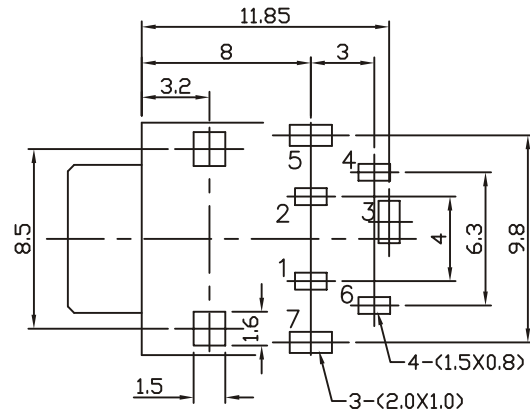


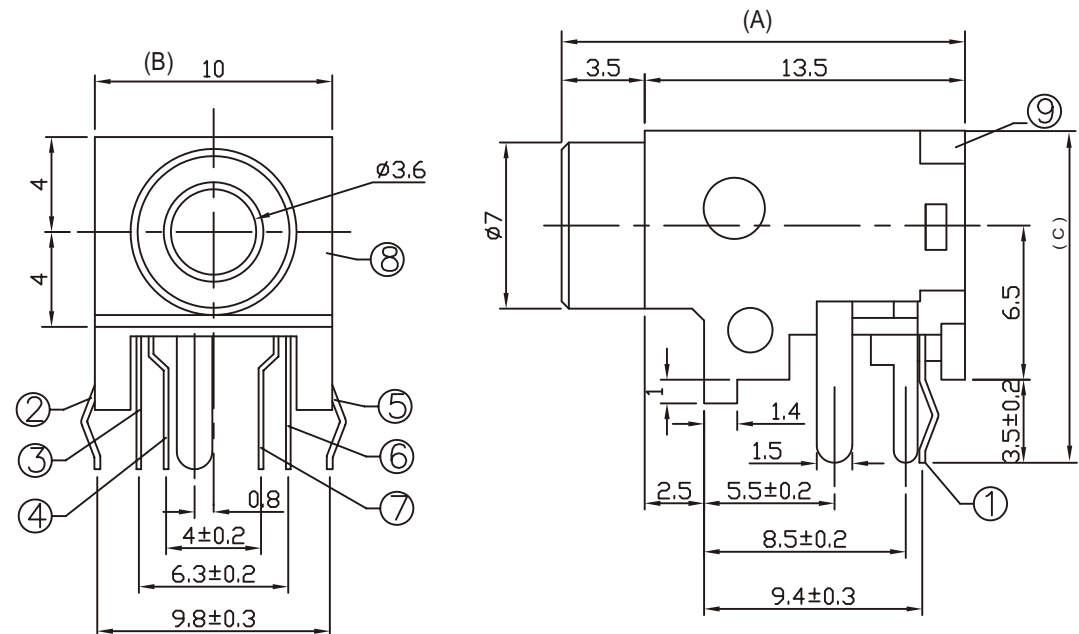
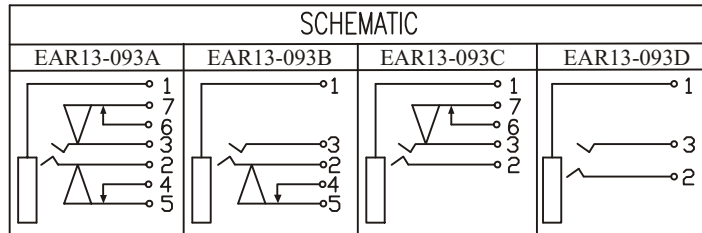
ORDER INFORMATION:

EAR13- 093X -X X - A/B/C - X
 $\frac{\quad}{a} \frac{\quad}{b} \frac{\quad}{c} \frac{\quad}{d} \frac{\quad}{e}$

- a. SCHEMATIC:
A~D
- b. Post selection:
0: without post
- c. Color:
B: Black
- d. Length/Width/Height:
A/B/C (A=17.0,B=10.0,C=14.0) (standard)
- e. Pack selection:
D:Disk Pack



T:1.6 Dimensions of PC board holes
 Tolerance : ±0.1(Printed-top view)



9	COVER	1	POM		
8	HOUSING	1	PBT		
7	7#CONTACT FOOT	1	BRONZE	MB:Cu Ag	PLATED
6	6#CONTACT FOOT	1	BRASS	MB:Cu Ag	PLATED
5	5#CONTACT FOOT	1	BRONZE	MB:Cu Ag	PLATED
4	4#CONTACT FOOT	1	BRONZE	MB:Cu Ag	PLATED
3	3#CONTACT FOOT	1	BRASS	MB:Cu Ag	PLATED
2	2#CONTACT FOOT	1	BRONZE	MB:Cu Ag	PLATED
1	1#CONTACT FOOT	1	BRONZE	MB:Cu Ag	PLATED
LTR	PART NAME	QTY	MATERIAL	REMARK	

GENAL TOLERANCE ±0.3	DRAW M. C. WANG	PART NO EAR13-093X-XX-A/B/C-X
	DESIGN H. D. LI	TITLE 3.5mm MINIATURE JACK (DIP)
	CHECKED Y. M. LU	
	APPROVED J. F. KANG	
UNIT :mm		宏揚精密有限公司 HOJAR PRECISION CO., LTD.