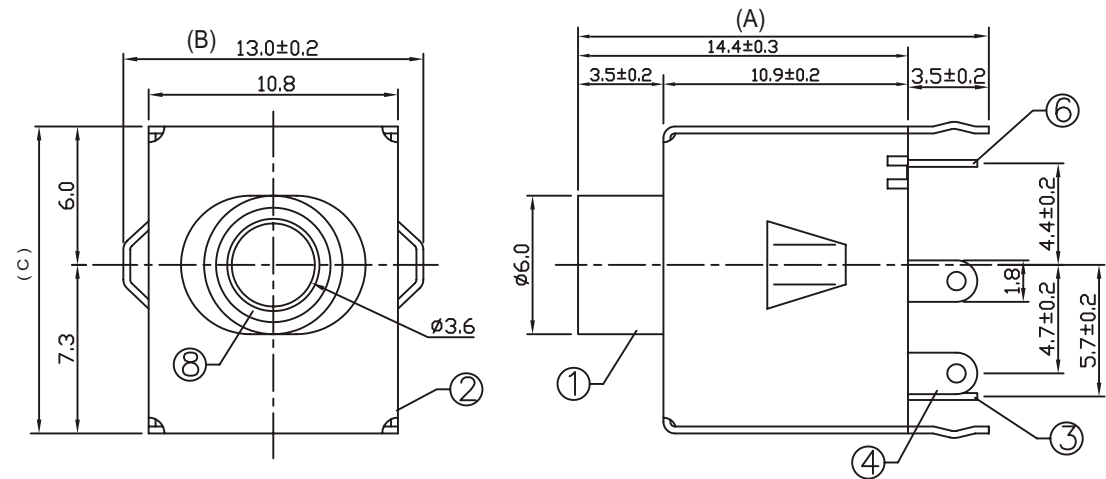


T:1.6 Dimensions of PC board holes
Tolerance : ±0.1(Printed-top view)

SCHEMATIC		
EAR13-071VA	EAR13-071VB	EAR13-071VC



8	AXIS SUPPORT	1	BRASS	MB:Cu Ni PLATED
7	CONTACT FOOT	1	BRASS	MB:Cu Ag PLATED
6	SPRING PIECE	1	BRONZE	MB:Cu Ag PLATED
5	CURVE PIECE	1	BRASS	MB:Cu Ag PLATED
4	CURVE PIECE	1	BRASS	MB:Cu Ag PLATED
3	SPRING PIECE	1	BRONZE	MB:Cu Ag PLATED
2	COAT	1	BRASS	MB:Cu Ni PLATED
1	HOUSING	1	PBT	
LTR	PART NAME	QTY	MATERIAL	REMARK

ORDER INFORMATION:

EAR13- 071VX -X X - A/B/C - X
 $\frac{\quad}{a} \frac{\quad}{b} \frac{\quad}{c} \frac{\quad}{d} \frac{\quad}{e}$

- a. SCHEMATIC:
A~C
- b. Post selection:
0: without post
- c. Color:
B: Black
- d. Length/Width/Height:
A/B/C (A=17.9,B=13.0,C=13.3) (standard)
- e. Pack selection:
D:Disk Pack

GENAL TOLERANCE ±0.3	DRAW M. C. WANG	PART NO EAR13-071VX-XX-A/B/C-X
	DESIGN H. D. LI	TITLE 3,5mm MINIATURE JACK (DIP)
	CHECKED Y. M. LU	
UNIT :mm	APPROVED J. F. KANG	宏揚精密有限公司 HOJAR PRECISION CO., LTD.