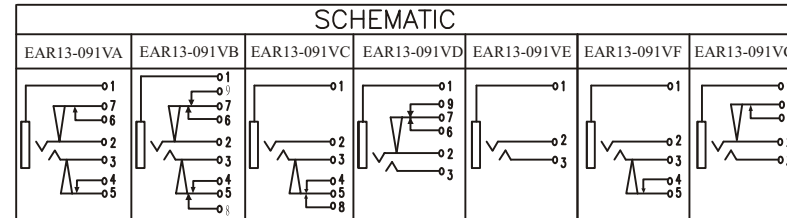
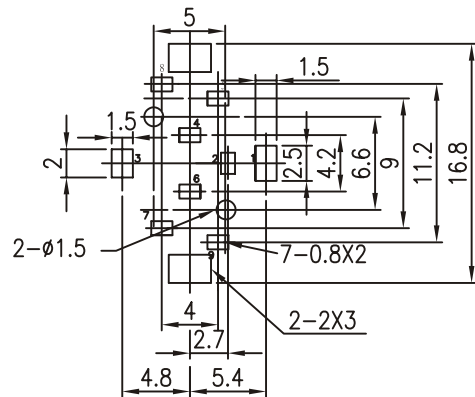


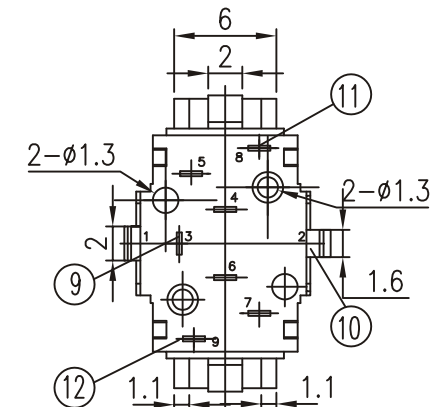
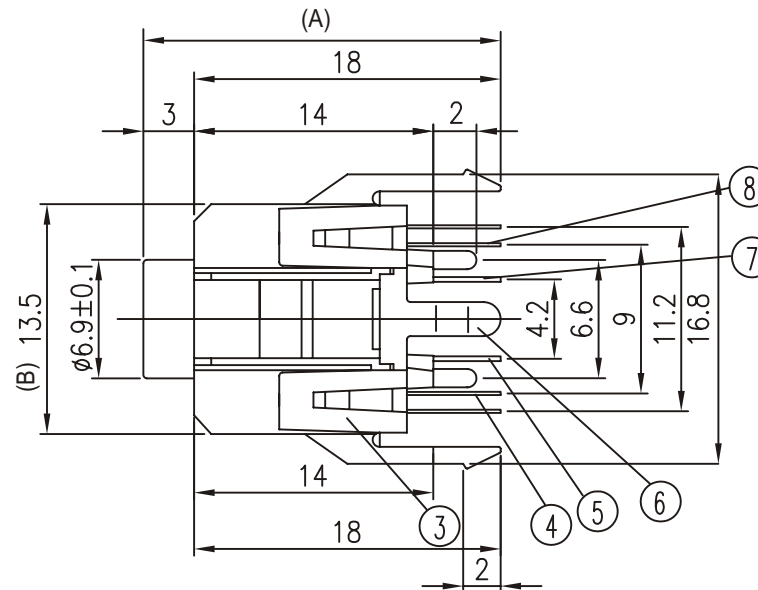
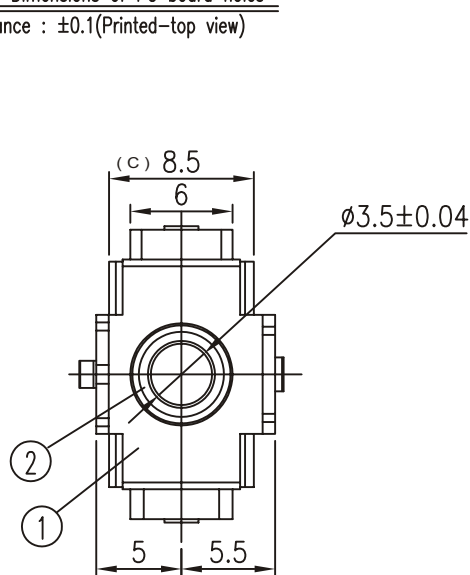
# ORDER INFORMATION:

EAR13-091VX -X X - A/B/C - X  
 $\frac{\quad}{a} \frac{\quad}{b} \frac{\quad}{c} \frac{\quad}{d} \frac{\quad}{e}$

- a. SCHEMATIC:  
A~G
- b. Post selection:  
1: with post
- c. Color:  
B: Black
- d. Length/Width/Height:  
A/B/C (A=21.0,B=13.5,C=8.5) (standard)
- e. Pack selection:  
D:Disk Pack



T:1.6 Dimensions of PC board holes  
 Tolerance : ±0.1(Printed-top view)



12	BREAK TERMINAL	1	BRASS	MB: Cu Ag PLATED
11	BREAK TERMINAL	1	BRASS	MB: Cu Ag PLATED
10	EARTH TERMINAL	1	BRONZE	MB: Cu Ag PLATED
9	BREAK TERMINAL	1	BRASS	MB: Cu Ag PLATED
8	TRANSFER TERMINAL	1	BRONZE	MB: Cu Ag PLATED
7	BREAK TERMINAL	1	BRASS	MB: Cu Ag PLATED
6	RING SPRING	1	BRONZE	MB: Cu Ag PLATED
5	BREAK TERMINAL	1	BRASS	MB: Cu Ag PLATED
4	TRANSFER TERMINAL	1	BRONZE	MB: Cu Ag PLATED
3	COVER	1	POM	
2	SLEEVE	1	BRASS	MB: Cu Ni PLATED
1	HOUSING	1	PBT	
LTR	PART NAME	QTY	MATERIAL	REMARK

GENAL TOLERANCE ±0.3	DRAW M. C. WANG	PART NO EAR13-091VX-XX-A/B/C-X
	DESIGN H. D. LI	TITLE 3.5mm MINIATURE JACK (DIP)
	CHECKED Y. M. LU	
UNIT :mm	APPROVED J. F. KANG	宏揚精密有限公司 HOJAR PRECISION CO., LTD.