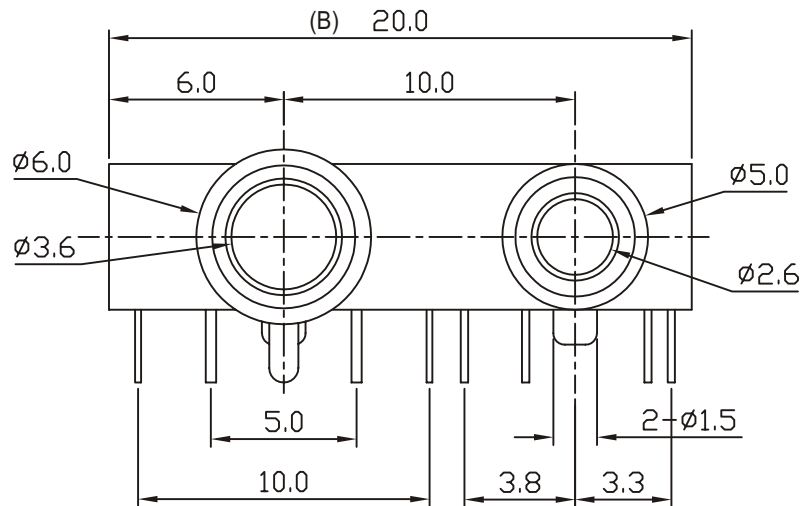
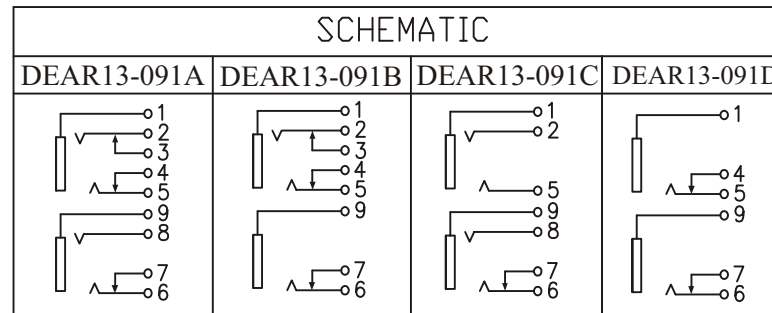


T:1.6 Dimensions of PC board holes  
Tolerance : ±0.1(Printed-top view)



## ORDER INFORMATION:

DEAR13-091X -X X - A/B/C - X  
a b c d e

a. SCHEMATIC:

A~D

b. Post selection:

1: with post

c. Color:

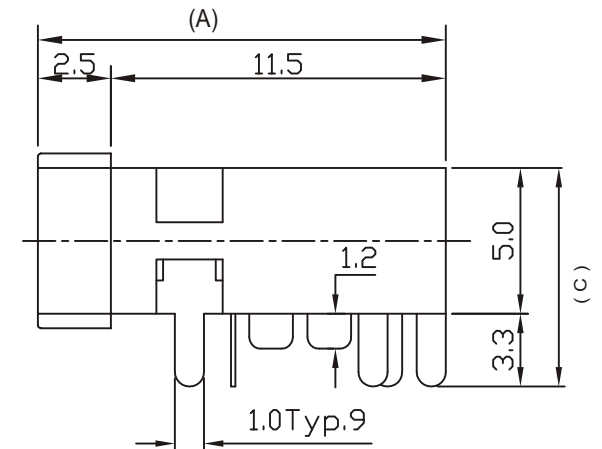
B: Black

d. Length/Width/Height:

A/B/C (A=14.0,B=20.0,C=8.3) (standard)

e. Pack selection:

D:Disk Pack



11	AXIS SUPPORT	1	BRASS	MB:Cu Ni PLATED
10	HOUSING	1	PA66	
9	CONTACT FOOT	1	PHOSPHOR BRONZE	MB:Cu Ag PLATED
8	CONTACT FOOT	1	PHOSPHOR BRONZE	MB:Cu Ag PLATED
7	FLAT PIECE	1	BRASS	MB:Cu Ag PLATED
6	SPRING PIECE	1	PHOSPHOR BRONZE	MB:Cu Ag PLATED
5	SPRING PIECE	1	PHOSPHOR BRONZE	MB:Cu Ag PLATED
4	FLAT PIECE	1	BRASS	MB:Cu Ag PLATED
3	FLAT PIECE	1	BRASS	MB:Cu Ag PLATED
2	SPRING PIECE	1	PHOSPHOR BRONZE	MB:Cu Ag PLATED
1	CONTACT FOOT	1	PHOSPHOR BRONZE	MB:Cu Ag PLATED
LTR	PART NAME	QTY	MATERIAL	REMARK

GENAL TOLERANCE ± 0.3	DRAW M. C. WANG	PART NO DEAR13-091X-XX-A/B/C-X
	DESIGN H. D. LI	TITLE 3.5mm MINIATURE JACK (DIP)
	CHECKED Y. M. LU	
UNIT :mm	APPROVED J. F. KANG	宏揚精密有限公司 HOJAR PRECISION CO., LTD.