

# ORDER INFORMATION:

SEAR13- 031X -X - A/B/C - X  
 $\frac{\quad}{a} \frac{\quad}{b} \frac{\quad}{c} \frac{\quad}{d}$

a. SCHEMATIC:

A

b. Post selection:

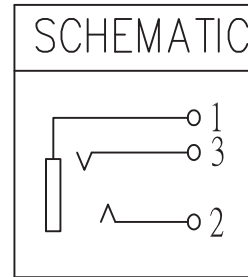
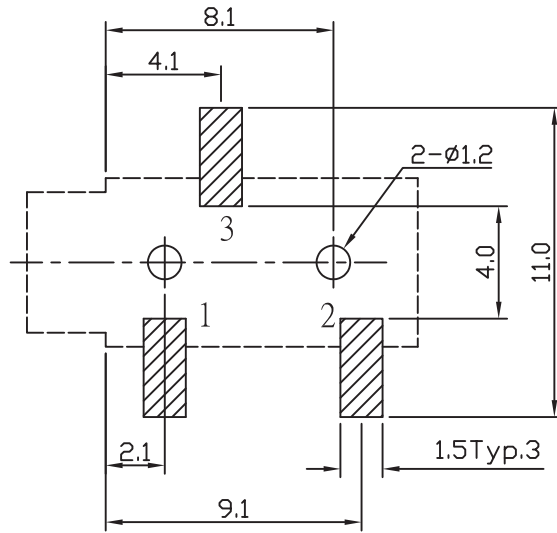
1: with post

c. Length/Width/Height:

A/B/C (A=14.0,B=6.0,C=5.0) (standard)

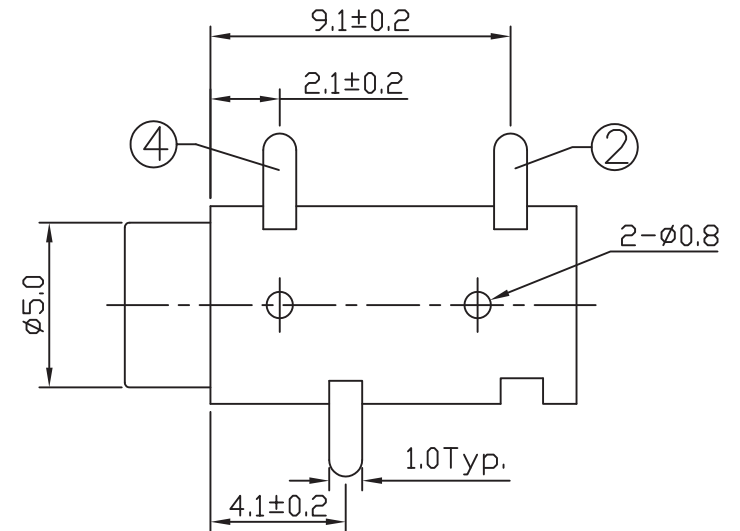
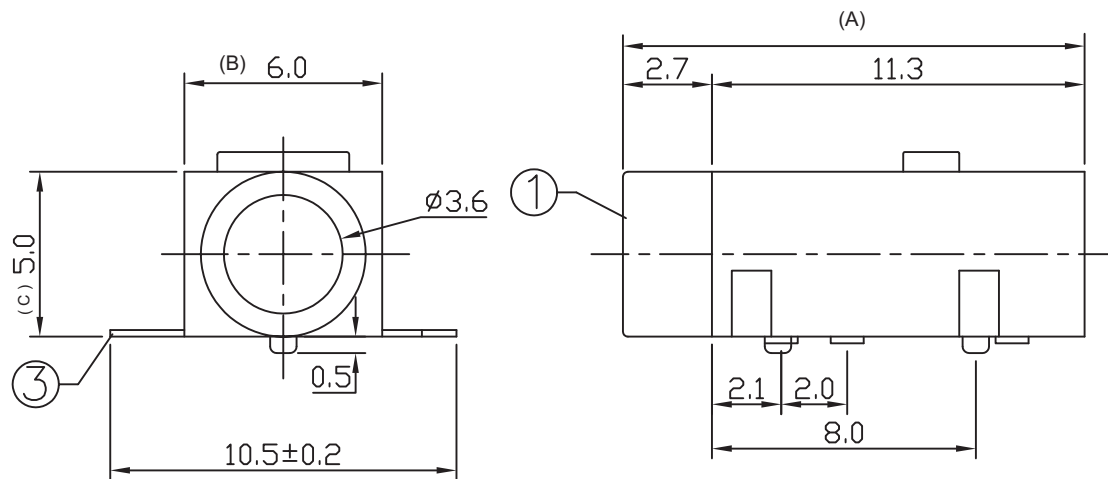
d. Pack selection:

R:Reel Pack



T:1.6 Dimensions of PC board holes

Tolerance :  $\pm 0.1$ (Printed-top view)



4	3#CONTACT FOOT	1	PHOSPHOR BRONZE	MB:Cu Ag PLATED
3	2#CONTACT FOOT	1	PHOSPHOR BRONZE	MB:Cu Ag PLATED
2	1#CONTACT FOOT	1	PHOSPHOR BRONZE	MB:Cu Ag PLATED
1	HOUSING	1	PA9T	
LTR	PART NAME	QTY	MATERIAL	REMARK

GENAL TOLERANCE $\pm 0.2$	DRAW M. C. WANG	PART NO SEAR13-031X-X-A/B/C-X
	DESIGN H. D. LI	TITLE 3.5mm MINIATURE JACK (SMT)
	CHECKED Y. M. LU	
UNIT :mm	APPROVED J. F. KANG	宏揚精密有限公司 HOJAR PRECISION CO., LTD.