

ORDER INFORMATION:

SEAR13- 032X -X - A/B/C - X
 a b c d

a. SCHEMATIC:

A

b. Post selection:

1: with post

c. Length/Width/Height:

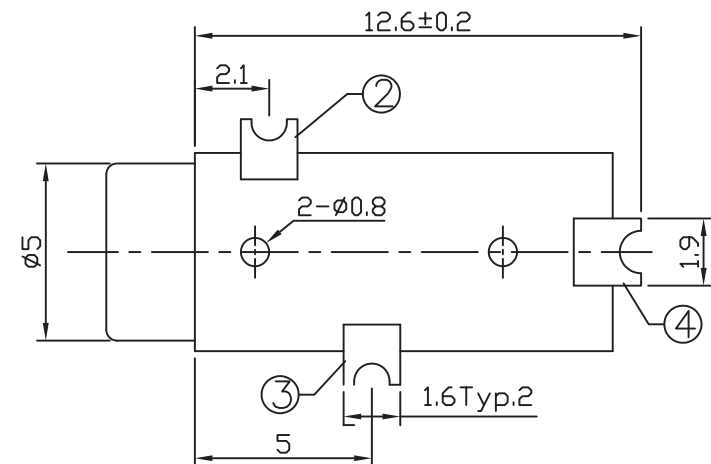
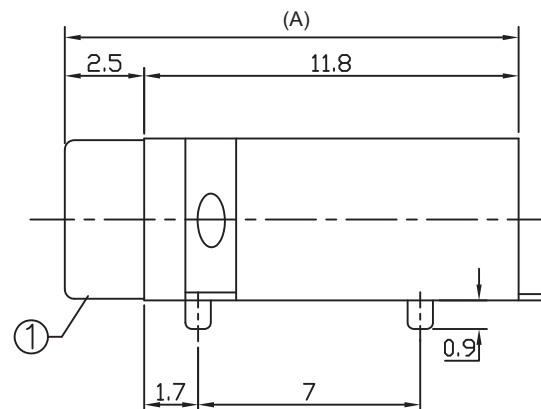
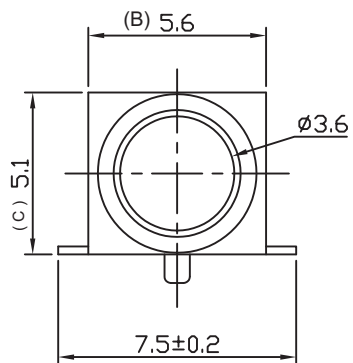
A/B/C (A=14.3,B=5.6,C=5.1) (standard)

d. Pack selection:

R:Reel Pack

T:1.6 Dimensions of PC board holes

Tolerance : ± 0.1 (Printed-top view)



4	CONTACT FOOT	1	PHOSPHOR BRONZE	MB:Cu Ag PLATED
3	CONTACT FOOT	1	PHOSPHOR BRONZE	MB:Cu Ag PLATED
2	CONTACT FOOT	1	PHOSPHOR BRONZE	MB:Cu Ag PLATED
1	HOUSING	1	PA9T	
LTR	PART NAME	QTY	MATERIAL	REMARK

GENAL TOLERANCE ± 0.2	DRAW M. C. WANG	PART NO SEAR13-032X-X-A/B/C-X
	DESIGN H. D. LI	TITLE 3.5mm MINIATURE JACK (SMT)
	CHECKED Y. M. LU	
	APPROVED J. F. KANG	
UNIT :mm		宏揚精密有限公司 HOJAR PRECISION CO., LTD.