

ORDER INFORMATION:

SEAR13- 041X -X - A/B/C - X
 $\frac{\quad}{a} \frac{\quad}{b} \frac{\quad}{c} \frac{\quad}{d}$

a. SCHEMATIC:

A

b. Post selection:

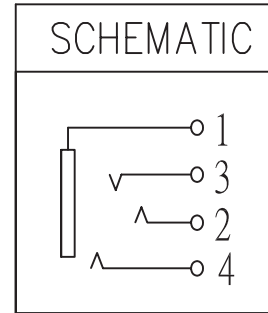
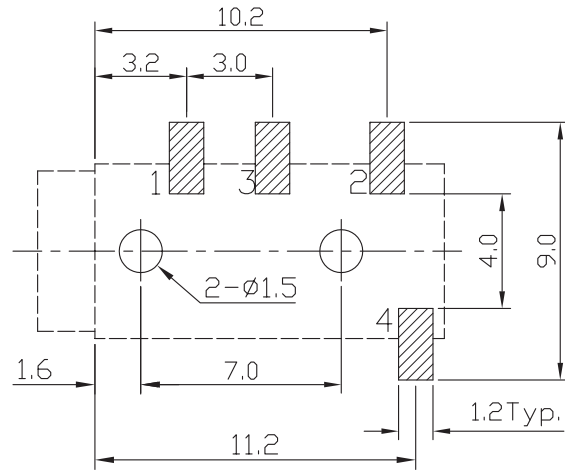
1: with post

c. Length/Width/Height:

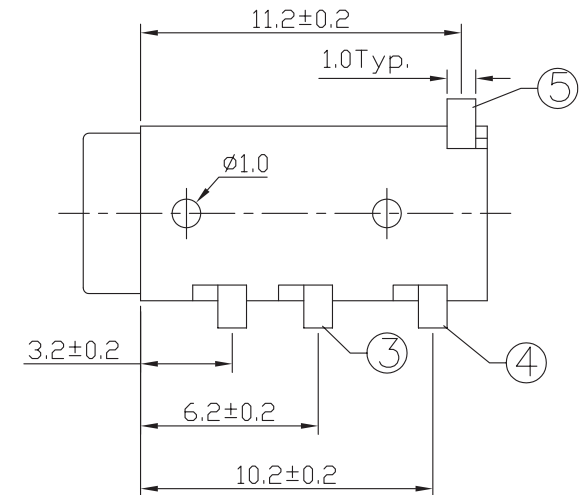
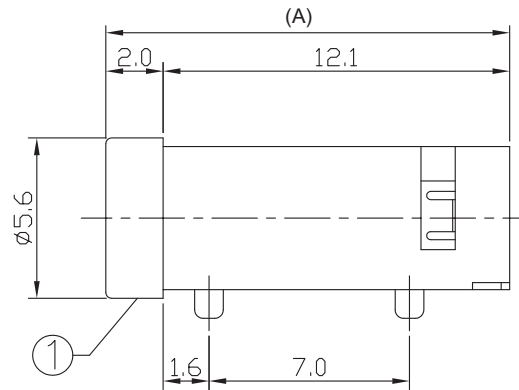
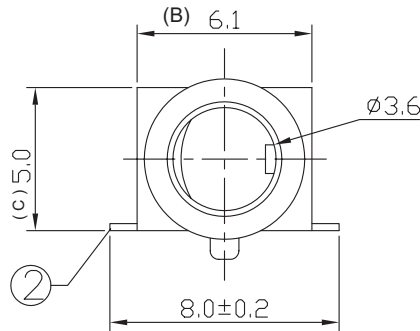
A/B/C (A=14.1,B=6.1,C=5.0) (standard)

d. Pack selection:


R:Reel Pack



T:1.6 Dimensions of PC board holes
Tolerance : ±0.1(Printed-top view)



5	4# CONTACT FOOT	1	PHOSPHOR BRONZE	MB:Cu	Ag	PLATED	
4	3# CONTACT FOOT	1	PHOSPHOR BRONZE	MB:Cu	Ag	PLATED	
3	2# CONTACT FOOT	1	PHOSPHOR BRONZE	MB:Cu	Ag	PLATED	
2	1# CONTACT FOOT	1	PHOSPHOR BRONZE	MB:Cu	Ag	PLATED	
1	HOUSING	1	PA9T				
LTR	PART NAME	QTY	MATERIAL	REMARK			

GENAL TOLERANCE ± 0.2	DRAW M. C. WANG	PART NO SEAR13-041X-X-A/B/C-X
	DESIGN H. D. LI	TITLE 3.5mm MINIATURE JACK (SMT)
	CHECKED Y. M. LU	
UNIT :mm	APPROVED J. F. KANG	 宏揚精密有限公司 HOJAR PRECISION CO., LTD.