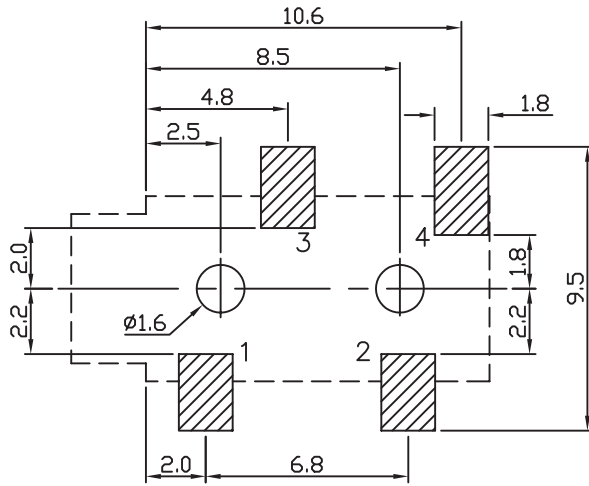


ORDER INFORMATION:

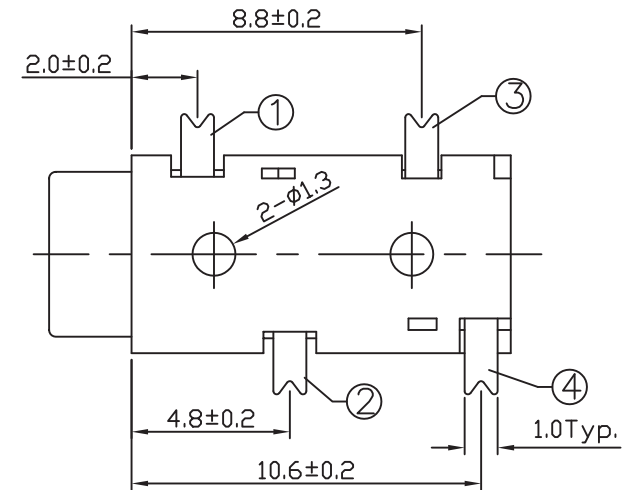
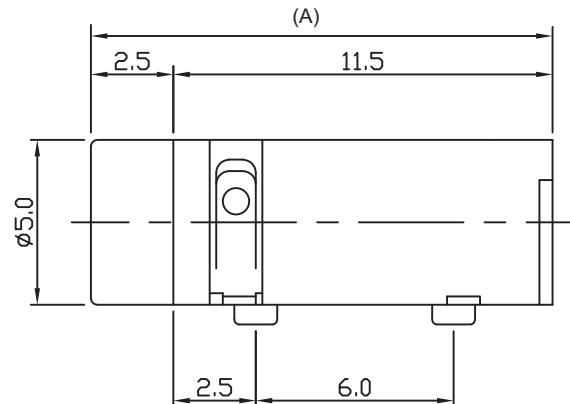
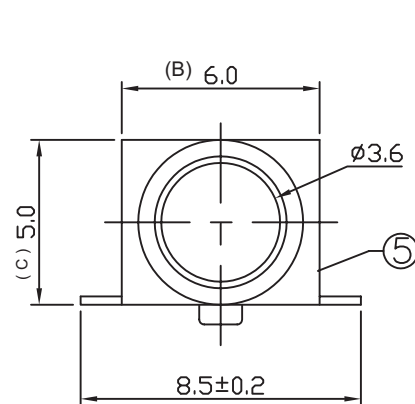
SEAR13- 042X -X - A/B/C - X
 $\frac{\quad}{a} \frac{\quad}{b} \frac{\quad}{c} \frac{\quad}{d}$

- a. SCHEMATIC:
A~C
- b. Post selection:
1: with post
- c. Length/Width/Height:
A/B/C (A=14.0,B=6.0,C=5.0) (standard)
- d. Pack selection:
R:Reel Pack



SCHEMATIC		
SEAR13-042A	SEAR13-042B	SEAR13-042C

T:1.6 Dimensions of PC board holes
 Tolerance : ± 0.1 (Printed-top view)



5	HOUSING	1	PA-FR	
4	CURVE PIECE	1	BRASS	MB:Cu Ag PLATED
3	SPRING	1	PHOSPHOR BRONZE	MB:Cu Ag PLATED
2	CONTACT FOOT	1	PHOSPHOR BRONZE	MB:Cu Ag PLATED
1	CONTACT FOOT	1	PHOSPHOR BRONZE	MB:Cu Ag PLATED
LTR	PART NAME	QTY	MATERIAL	REMARK

GENAL TOLERANCE ± 0.2	DRAW M. C. WANG	PART NO SEAR13-042X-X-A/B/C-X
	DESIGN H. D. LI	TITLE 3.5mm MINIATURE JACK (SMT)
	CHECKED Y. M. LU	
UNIT :mm	APPROVED J. F. KANG	宏揚精密有限公司 HOJAR PRECISION CO., LTD.