

ORDER INFORMATION:

SEAR13- 043X -X - A/B/C - X
 \bar{a} \bar{b} \bar{c} \bar{d}

a. SCHEMATIC:

A~C

b. Post selection:

1: with post

c. Length/Width/Height:

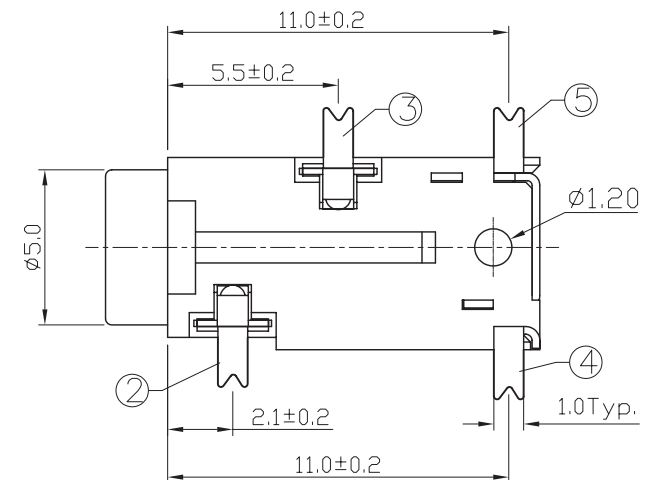
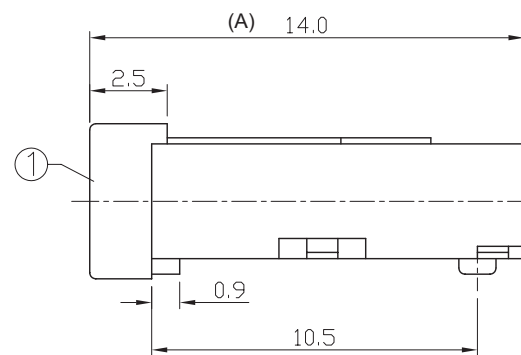
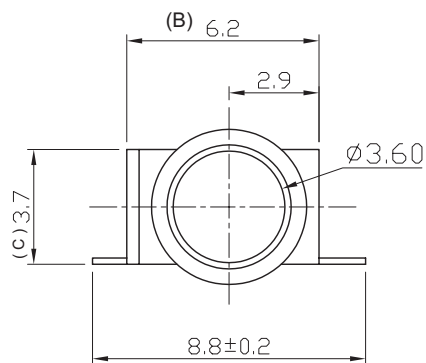
A/B/C (A=14.0,B=6.2,C=3.7) (standard)

d. Pack selection:

R:Reel Pack

T:1.6 Dimensions of PC board holes

Tolerance : ± 0.1 (Printed-top view)



| | | | | |
|-----|--------------|-----|-----------------|-----------------|
| 5 | CURVE PIECE | 1 | BRASS | MB:Cu Ag PLATED |
| 4 | SPRING | 1 | Be-Cu | MB:Cu Ag PLATED |
| 3 | CONTACT FOOT | 1 | PHOSPHOR BRONZE | MB:Cu Ag PLATED |
| 2 | CONTACT FOOT | 1 | PHOSPHOR BRONZE | MB:Cu Ag PLATED |
| 1 | HOUSING | 1 | PA9T | |
| LTR | PART NAME | QTY | MATERIAL | REMARK |

| | | |
|------------------------------|------------------------|---------------------------------------|
| GENAL TOLERANCE ± 0.2 | DRAW M. C. WANG | PART NO SEAR13-043X-X-A/B/C-X |
| | DESIGN H. D. LI | TITLE 3.5mm MINIATURE JACK (SMT) |
| | CHECKED Y. M. LU | |
| UNIT :mm | APPROVED J. F. KANG | 宏揚精密有限公司 HOJAR PRECISION CO., LTD. |