

ORDER INFORMATION:

SEAR13- 045X -X - A/B/C - X
 $\frac{a}{b} \frac{c}{d}$

a. SCHEMATIC:

A

b. Post selection:

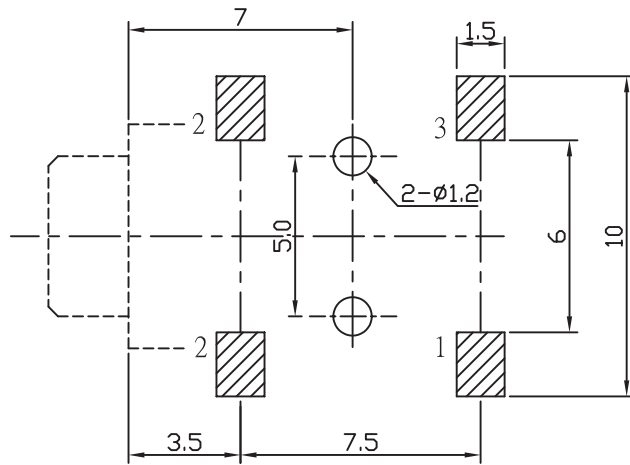
1: with post

c. Length/Width/Height:

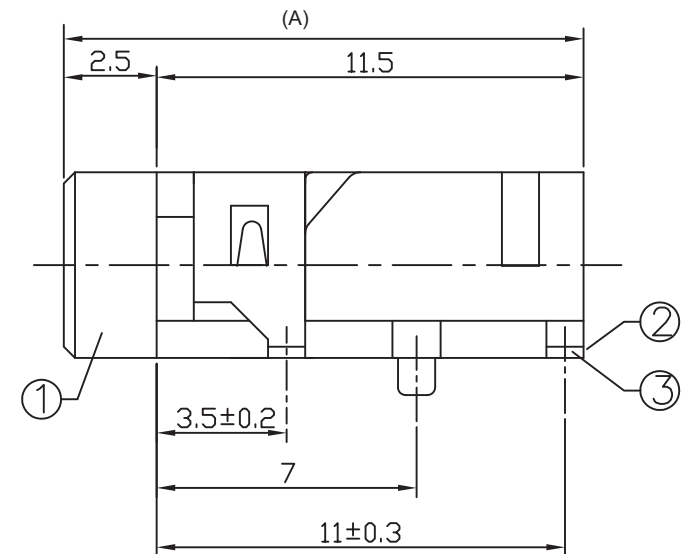
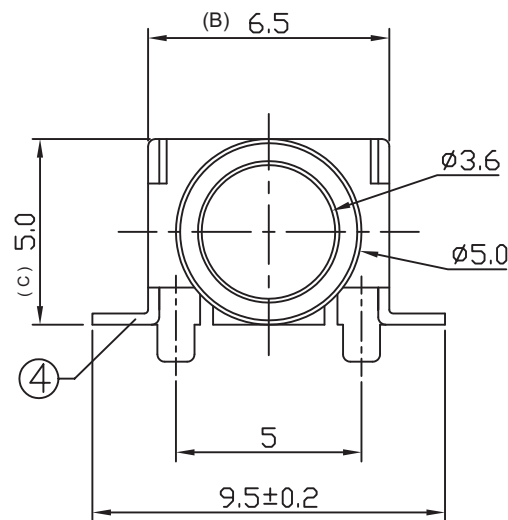
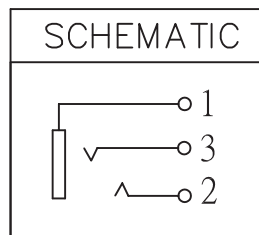
A/B/C (A=14.0,B=6.5,C=5.0) (standard)

d. Pack selection:

R:Reel Pack



T:1.6 Dimensions of PC board holes
 Tolerance : ±0.1(Printed-top view)



4	3# CONTACT FOOT	1	PHOSPHOR BRONZE	MB:Cu Ag PLATED
3	2# CONTACT FOOT	1	PHOSPHOR BRONZE	MB:Cu Ag PLATED
2	1# CONTACT FOOT	1	PHOSPHOR BRONZE	MB:Cu Ag PLATED
1	HOUSING	1	PA9T	
LTR	PART NAME	QTY	MATERIAL	REMARK

GENAL TOLERANCE ± 0.2	DRAW M. C. WANG	PART NO SEAR13-045X-X-A/B/C-X
	DESIGN H. D. LI	TITLE 3.5mm MINIATURE JACK (SMT)
	CHECKED Y. M. LU	
	APPROVED J. F. KANG	
UNIT :mm		宏揚精密有限公司 HOJAR PRECISION CO., LTD.