

ORDER INFORMATION:

SEAR13-062X-X-A/B/C-X
 $\frac{a}{b} \frac{c}{d}$

a. SCHEMATIC:

A

b. Post selection:

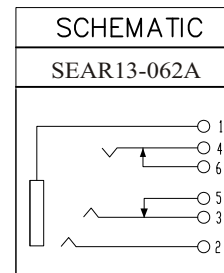
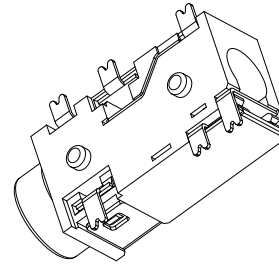
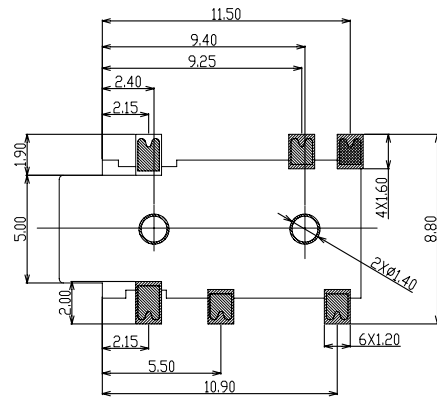
1: with post

c. Length/Width/Height:

A/B/C (A=14.0,B=6.45,C=4.55) (standard)

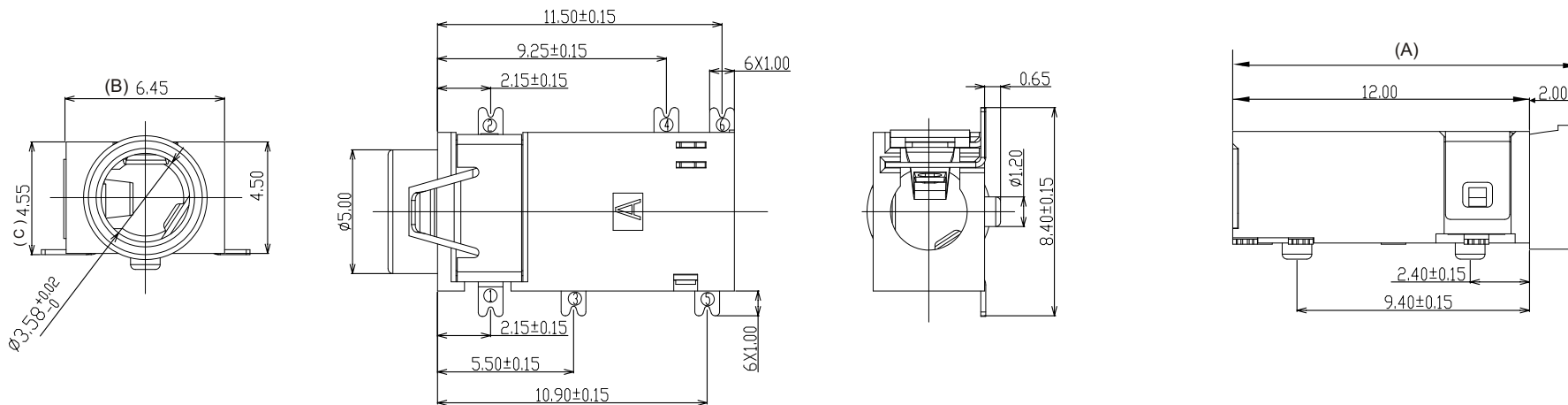
d. Pack selection:

R:Reel Pack



T:1.6 Dimensions of PC board holes

Tolerance : ± 0.1 (Printed-top view)



7	HOUSING	1	PA (Black)	
6	TERMINAL	1	PHOSPHOR BRONZE t=0.20	MB:Cu Ag PLATED
5	TERMINAL	1	PHOSPHOR BRONZE t=0.20	MB:Cu Ag PLATED
4	TERMINAL	1	PHOSPHOR BRONZE t=0.20	MB:Cu Ag PLATED
3	TERMINAL	1	PHOSPHOR BRONZE t=0.20	MB:Cu Ag PLATED
2	TERMINAL	1	BRASS t=0.20	MB:Cu Ag PLATED
1	TERMINAL	1	PHOSPHOR BRONZE t=0.20	MB:Cu Ag PLATED
LTR	PART NAME	QTY	MATERIAL	REMARK

GENAL TOLERANCE ± 0.2	DRAW M. C. WANG	PART NO SEAR13-062X-X-A/B/C-X
	DESIGN H. D. LI	TITLE 3.5mm MINIATURE JACK (SMT)
	CHECKED Y. M. LU	
UNIT :mm	APPROVED J. F. KANG	宏揚精密有限公司 HOJAR PRECISION CO., LTD.