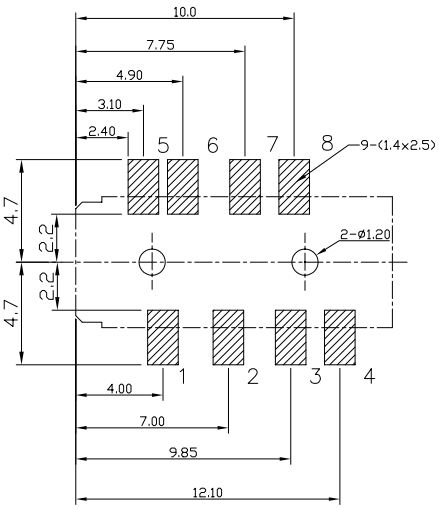


# ORDER INFORMATION:

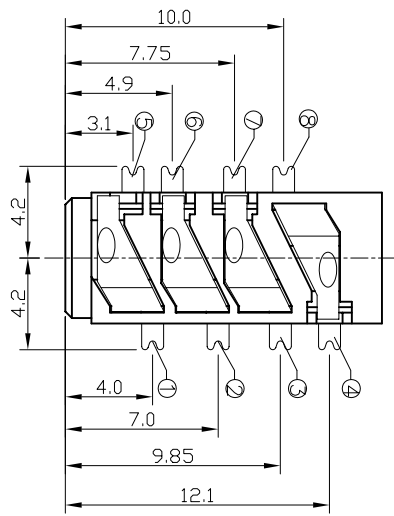
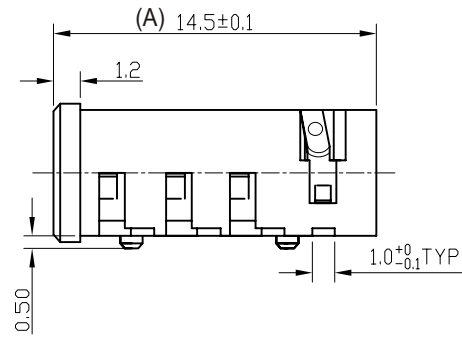
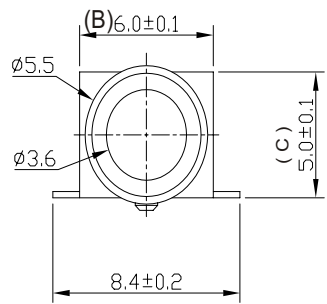
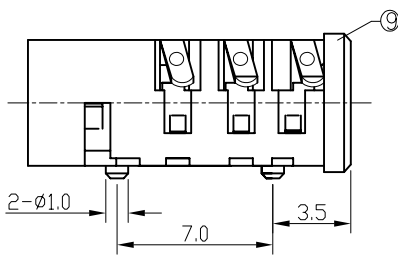
SEAR13- 082X -X - A/B/C - X  
 $\frac{a}{b} \frac{c}{d}$

- a. SCHEMATIC:  
A~L
- b. Post selection:  
1: with post
- c. Length/Width/Height:  
A/B/C (A=14.5,B=6.0,C=5.0) (standard)
- d. Pack selection:  
R:Reel Pack



SCHEMATIC					
SEAR13-082A	SEAR13-082B	SEAR13-082C	SEAR13-082D	SEAR13-082E	SEAR13-082F
SEAR13-082G	SEAR13-082H	SEAR13-082I	SEAR13-082J	SEAR13-082K	SEAR13-082L

T:1.6 Dimensions of PC board holes  
 Tolerance : ±0.1(Printed-top view)



9	HOUSING	1	PA9T	
8	2#CONTACT FOOT	1	BRONZE	MB:Cu Ag PLATED
7	1#CURVE PIECE	1	BRASS	MB:Cu Ag PLATED
6	1#CURVE PIECE	1	BRASS	MB:Cu Ag PLATED
5	2#CURVE PIECE	1	BRASS	MB:Cu Ag PLATED
4	1#CURVE PIECE	1	BRASS	MB:Cu Ag PLATED
3	1#CONTACT FOOT	1	BRONZE	MB:Cu Ag PLATED
2	1#CONTACT FOOT	1	BRONZE	MB:Cu Ag PLATED
1	1#CONTACT FOOT	1	BRONZE	MB:Cu Ag PLATED
LTR	PART NAME	QTY	MATERIAL	REMARK

GENAL TOLERANCE ± 0.2	DRAW M. C. WANG	PART NO SEAR13-082X-X-A/B/C-X
	DESIGN H. D. LI	TITLE 3.5mm MINIATURE JACK (SMT)
	CHECKED Y. M. LU	
UNIT :mm	APPROVED J. F. KANG	宏揚精密有限公司 HOJAR PRECISION CO., LTD.