

## ORDER INFORMATION:

DHPHJ1 -  $\frac{6}{a}$   $\frac{21}{b}$  -  $\frac{X}{c}$  -  $\frac{X}{d}$

### MATERIAL :

Plastic Housing : Engineering Thermoplastic Flammability  
Rating UL 94V-0.

Contacts : Phosphor Bronze , 0.35mm Thickness

Plating : Gold Plating Over Nickel In Contact.

Tin Plating Over Nickel In Solder Area.

a. Pin No :

6

b. No of Contact :

2

c. Gold Plating Options :

0 : Gold Flash

1 : Gold 3 u"

2 : Gold 6 u"


3 : Gold 15 u"

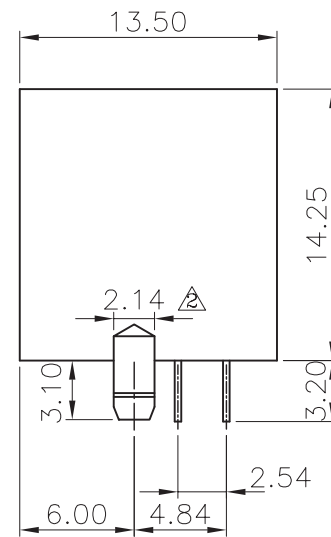
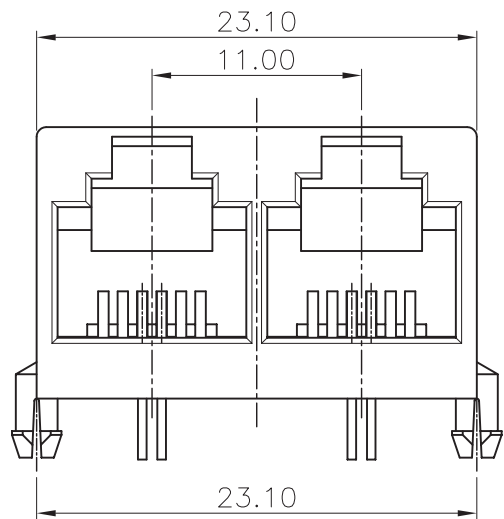
4 : Gold 30 u"

5 : Gold 50 u"

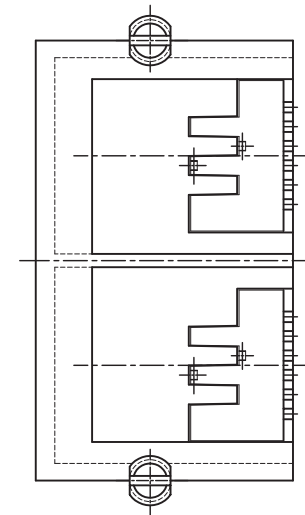
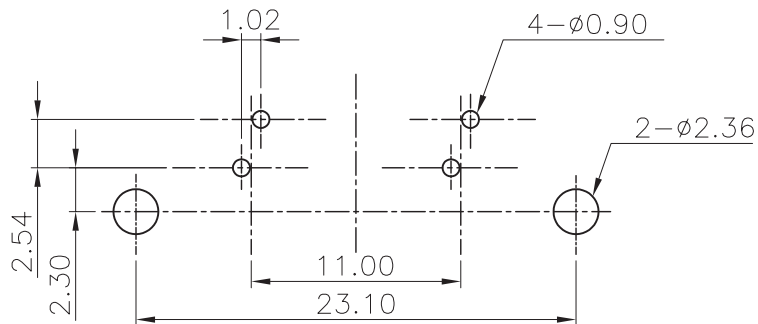
d. Pack selection:


D:Disk Pack

GENAL TOLERANCE	DRAW DATE	2005/04/29 H. D. LI	PART NO
X. ± 0.50	DESIGN	H. D. LI	DHPHJ1-621-X-X
.X ± 0.38	CHECKED	Y. M. LU	TITLE
.XX ± 0.25	APPROVED	J. F. KANG	Phone Jack 6P2C
.XXX ± 0.10	UNIT :mm		 宏揚精密有限公司 HOJAR PRECISION CO., LTD.



PCB LAYOUT/TOP VIEW



GENAL TOLERANCE X. ± 0.50 .X ± 0.38 .XX ± 0.25 .XXX ± 0.10	DRAW DATE 2005/04/29 H. D. LI	PART NO DHPHJ1-621-X-X
	DESIGN H. D. LI	TITLE Phone Jack 6P2C
UNIT :mm	CHECKED Y. M. LU APPROVED J. F. KANG	 宏揚精密有限公司 HOJAR PRECISION CO., LTD.