

MATERIALS:

PLASTIC HOUSING: ENGINEERING THERMOPLASTIC
FLAMMABILITY RATING UL 94V-0.


CONTACTS: PHOSPHOR BRONZE

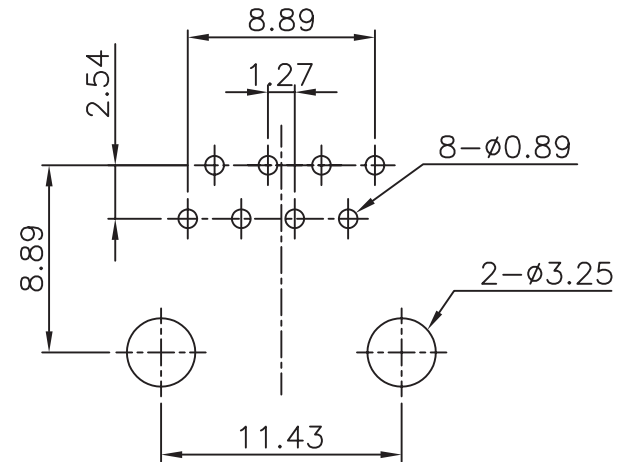
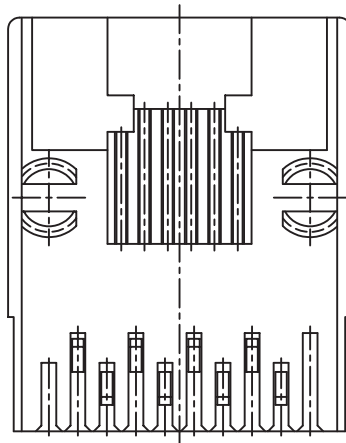
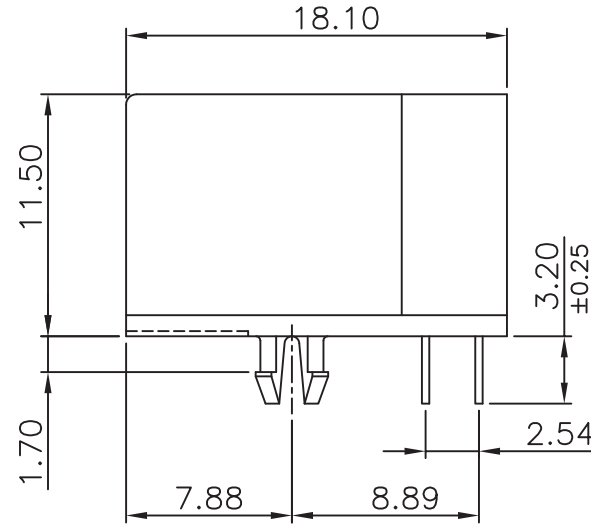
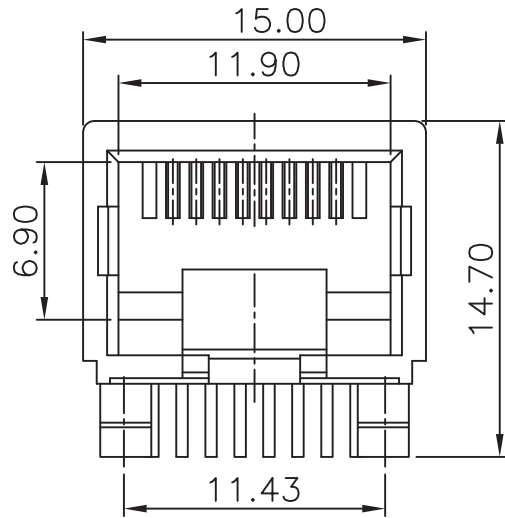
PLATING: GOLD PLATING OVER NICKEL IN CONTACT.
TIN PLATING OVER NICKEL IN SOLDER AREA.

ORDER INFORMATION:


HPHJ1 - $\frac{8}{a}$ $\frac{8}{b}$ 3 - $\frac{X}{c}$ - $\frac{X}{d}$

- a. Pin No :
8
- b. No of Contact :
8
- c. Gold Plating Options :
0 : Gold Flash
1 : Gold 6 u"
2 : Gold 15 u"
3 : Gold 30 u"
4 : Gold 50 u"
- d. Pack selection:
D:Disk Pack

GENAL TOLERANCE	DRAW 2005/04/29	PART NO
X. ± 0.50	DATE H. D. LI	HPHJ1-883-X-X
.X ± 0.38	DESIGN H. D. LI	TITLE
.XX ± 0.25	CHECKED Y. M. LU	Phone Jack 8P8C
.XXX ± 0.10	APPROVED J. F. KANG	 宏揚精密有限公司 HOJAR PRECISION CO., LTD.
UNIT :mm		



PCB LAYOUT/TOP VIEW

GENAL TOLERANCE X. ± 0.50 .X ± 0.38 .XX ± 0.25 .XXX ± 0.10	DRAW 2005/04/29 DATE H. D. LI	PART NO HPHJ1-883-X-X
	DESIGN H. D. LI	TITLE Phone Jack 8P8C
	CHECKED Y. M. LU	
UNIT :mm	APPROVED J. F. KANG	 宏揚精密有限公司 HOJAR PRECISION CO., LTD.