

VERSION

A

**MATERIAL :**

Plastic Housing : Engineering Thermoplastic Flammability  
Rating UL 94V-0.

Contacts : Phosphor Bronze , 0.35mm Thickness

Plating : Gold Plating Over Nickel In Contact.

Tin Plating Over Nickel In Solder Area.

Colour: Gray

**ORDER INFORMATION:**

$$\text{HPHJ1} - \frac{\text{X}}{\text{a}} \frac{\text{X}}{\text{b}} 1 - \frac{\text{X}}{\text{c}} - \frac{\text{X}}{\text{d}}$$

a. Pin No :

4 6 8 10

b. No of Contact :

2 4 6 8 10

c. Gold Plating Options :

0 : Gold Flash

1 : Gold 6 u"

2 : Gold 15 u"

3 : Gold 30 u"


4 : Gold 50 u"

d. Pack selection:

D:Disk Pack

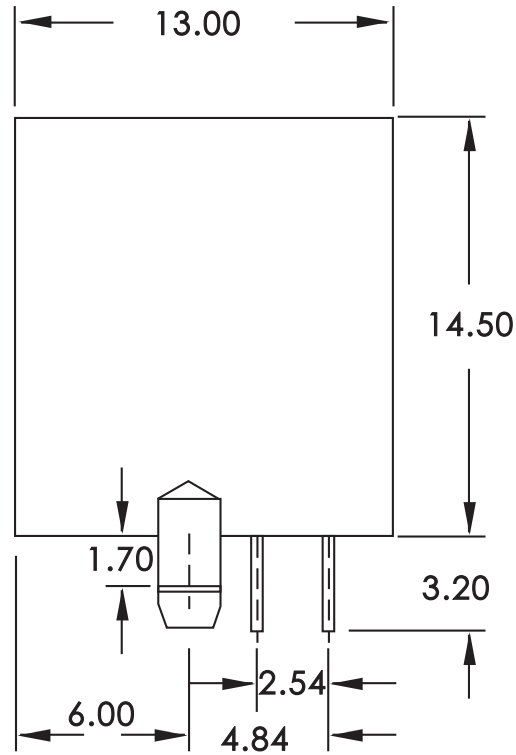
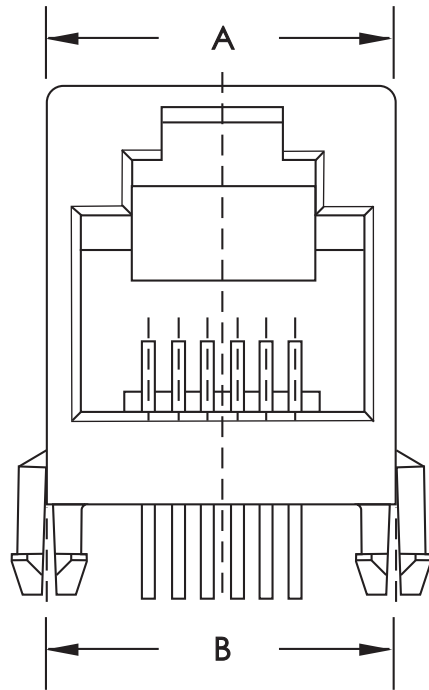
**VERSION & EC DESCRIPTION**

DATE	VERSION	PAGE	DESCRIPTION
2005/04/29	A	2-3	Add HPHJ1-XX1-F1-X Series Plan

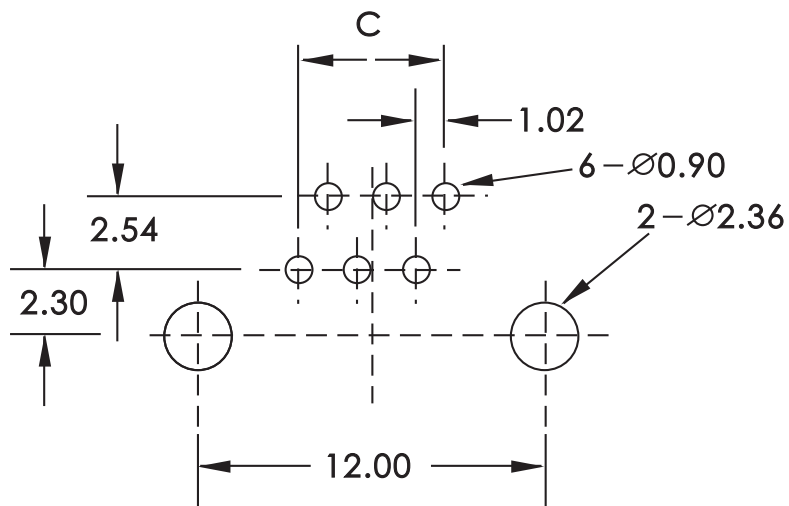
GENERAL TOLERANCE	DRAW DATE	2005/04/29	PART NO
X. ± 0.50	H. D. LI		HPHJ1-XX1-X-X
.X ± 0.38	DESIGN	H. D. LI	TITLE
.XX ± 0.25	CHECKED	Y. M. LU	Phone Jack XPXC 灰色
.XXX ± 0.10	APPROVED	J. F. KANG	 宏揚精密有限公司 HOJAR PRECISION CO., LTD.
UNIT :mm			

VERSION

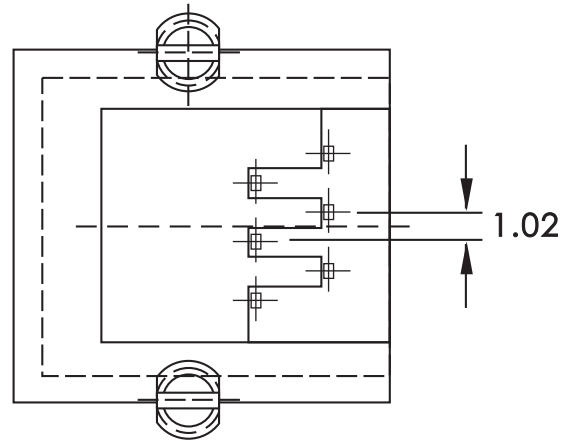
A



No. of Positions	Dimensions		
	A	B	C
4	10.00	10.00	3.06
6	12.20	12.00	5.10
8	15.00	15.00	7.14
10	15.00	15.00	9.18



PCB LAYOUT/TOP VIEW



GENERAL TOLERANCE X. ± 0.50 .X ± 0.38 .XX ± 0.25 .XXX ± 0.10	DRAW DATE	2005/04/29 H. D. LI	PART NO	HPHJ1-XX1-X-X
	DESIGN	H. D. LI	TITLE	Phone Jack XPXC 灰色
	CHECKED	Y. M. LU		
	APPROVED	J. F. KANG		
UNIT :mm				

宏揚精密有限公司  
HOJAR PRECISION CO., LTD.